

PARTS MANUAL



HTN 27K-28K-TCSL RIDE-ON POWER TROWEL KOHLER 27 HP KOHLER 28 HP EFI

Revision #0 (05/12/06)

To find the latest revision of this
publication, visit our website at:
www.multiquip.com



THIS MANUAL MUST ACCOMPANY THE EQUIPMENT AT ALL TIMES.

P/N 21728



CALIFORNIA — Proposition 65 Warning

Diesel engine exhaust and some of its constituents are known to the State of California to cause cancer, birth defects and other reproductive harm.

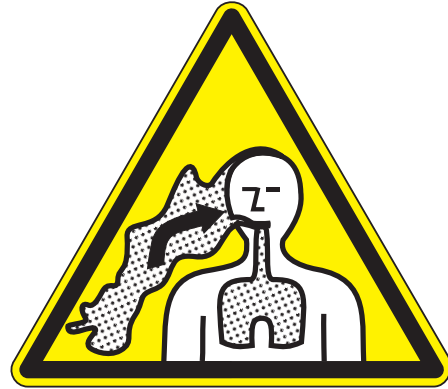
! WARNING



SILICOSIS WARNING

Grinding/cutting/drilling of masonry, concrete, metal and other materials with silica in their composition may give off dust or mists containing crystalline silica. Silica is a basic component of sand, quartz, brick clay, granite and numerous other minerals and rocks. Repeated and/or substantial inhalation of airborne crystalline silica can cause serious or fatal respiratory diseases, including silicosis. In addition, California and some other authorities have listed respirable crystalline silica as a substance known to cause cancer. When cutting such materials, always follow the respiratory precautions mentioned above.

! WARNING



RESPIRATORY HAZARDS

Grinding/cutting/drilling of masonry, concrete, metal and other materials can generate dust, mists and fumes containing chemicals known to cause serious or fatal injury or illness, such as respiratory disease, cancer, birth defects or other reproductive harm. If you are unfamiliar with the risks associated with the particular process and/or material being cut or the composition of the tool being used, review the material safety data sheet and/or consult your employer, the material manufacturer/supplier, governmental agencies such as OSHA and NIOSH and other sources on hazardous materials. California and some other authorities, for instance, have published lists of substances known to cause cancer, reproductive toxicity, or other harmful effects.

Control dust, mist and fumes at the source where possible. In this regard use good work practices and follow the recommendations of the manufacturers or suppliers, OSHA/NIOSH, and occupational and trade associations. Water should be used for dust suppression when wet cutting is feasible. When the hazards from inhalation of dust, mists and fumes cannot be eliminated, the operator and any bystanders should always wear a respirator approved by NIOSH/MSHA for the materials being used.

MQ WHITEMAN — HTN 27K-28K

RIDE-ON POWER TROWEL

Proposition 65 Warning	2
Silicosis/Respiratory Warnings	3
Table Of Contents	4
Parts Ordering Procedures	5
Explanation Of Codes In Remarks Column	6
Suggested Spare Parts	7

Component Drawings

Nameplate and Decals	8-9
Pivot Assembly (Right/ Left)	10-11
Steering Handles Assembly (Right/Left)	12-13
Steering Assist Control Assembly (Right/Left) ...	14-15
Gearbox Assembly (Right-Side)	16-17
Gearbox Assembly (Left-Side)	18-19
Twin Pitch Assembly (Left/Right)	20-21
Twin Pitch Miter Box Assembly (Left/Right)	22-23
Drive Assembly	24-25
Engine/Muffler/V-Belt Kohler 27 HP	26-27
Air Cleaner/Oil Filter/ Oil Cooler Assy. 27 HP	28-29
Engine/Muffler/V-Belt Assy. 28 HP EFI	30-31
Air Cleaner/Oil Filter/ Oil Cooler Assy. 28 HP ...	32-33
CVT Clutch/Lower Pulley Assembly	34-35
V-Belt Cover/Outer Muffler Shield Assembly	36-37
Spider Assembly (Right)	38-39
Spider Assembly (Left)	40-41
Yoke Assembly	42-43
Throttle Cable/Foot Pedals Assembly	44-45
Control Panel Assembly 27 HP	46-47
Control Panel Assembly 28 HP EFI	48-49
Fuel Assembly 27 HP	50-51
Fuel Assembly 28 HP EFI	52-53
Battery Assembly	54-55
Spray Assembly	56-57
Light Assembly	58-59
Seat Frame Assembly	60-61
EZ-Mover Assembly	62-63

Terms And Conditions Of Sale	64
------------------------------------	----

www.multiquip.com

Ordering parts has never been easier! Choose from three easy options:



Order via Internet (Dealers Only):

Order parts on-line using Multiquip's SmartEquip website!

- View Parts Diagrams
- Order Parts
- Print Specification Information



If you have an MQ Account, to obtain a Username and Password, E-mail us at: parts@multiquip.com.

To obtain an MQ Account, contact your District Sales Manager for more information.

Goto www.multiquip.com and click on **Order Parts** to log in and save!

Use the **internet** and qualify for a **5% Discount** on *Standard orders* for all orders which include complete part numbers.*

Note: Discounts Are Subject To Change



Order via Fax (Dealers Only):

All customers are welcome to order parts via Fax.

Domestic (US) Customers dial:
1-800-6-PARTS-7 (800-672-7877)

Fax your order in and qualify for a **3% Discount** on *Standard orders* for all orders which include complete part numbers.*

Note: Discounts Are Subject To Change



Order via Phone: Domestic (US) Dealers Call:
1-800-427-1244

Non-Dealer Customers:

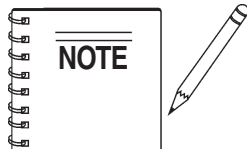
Contact your local Multiquip Dealer for parts or call 800-427-1244 for help in locating a dealer near you.



International Customers should contact their local Multiquip Representatives for Parts Ordering information.

When ordering parts, please supply:

- | | |
|---|--|
| <input type="checkbox"/> Dealer Account Number | <input type="checkbox"/> Specify Preferred Method of Shipment: |
| <input type="checkbox"/> Dealer Name and Address | <input checked="" type="checkbox"/> Fed Ex/UPS <input checked="" type="checkbox"/> DHL |
| <input type="checkbox"/> Shipping Address (if different than billing address) | <input type="checkbox"/> Priority One <input checked="" type="checkbox"/> Truck |
| <input type="checkbox"/> Return Fax Number | <input type="checkbox"/> Ground |
| <input type="checkbox"/> Applicable Model Number | <input type="checkbox"/> Next Day |
| <input type="checkbox"/> Quantity, Part Number and Description of Each Part | <input type="checkbox"/> Second/Third Day |



Unless otherwise indicated by customer, all orders are treated as *Standard Orders* and will ship within 24 hours. We will make every effort to ship *Air Shipments* the same day the order is received, if received prior to 2PM PST. *Stock Orders* must be noted on fax or web order form.

WE ACCEPT ALL MAJOR CREDIT CARDS!



HTN 27K-28K— EXPLANATION OF CODE IN REMARKS COLUMN

The following section explains the different symbols and remarks used in the Parts section of this manual. Use the help numbers found on the back page of the manual if there are any questions.

The contents and part numbers listed in the parts section are subject to change **without notice**. Multiquip does not guarantee the availability of the parts listed.

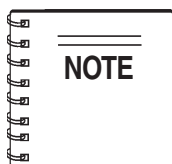
Sample Parts List:

NO.	PART NO.	PART NAME	QTY.	REMARKS
1	12345	BOLT	1	INCLUDES ITEMS W/*
2*		WASHER, 1/4 IN.		NOT SOLD SEPARATELY
2*	12347	WASHER, 3/8 IN.	1	MQ-45T ONLY
3	12348	HOSE	A/R ..	MAKE LOCALLY
4	12349	BEARING	1	S/N 2345B AND ABOVE

NO. Column

Unique Symbols - All items with same unique symbol (*, #, +, %, or >) in the number column belong to the same assembly or kit, which is indicated by a note in the “Remarks” column.

Duplicate Item Numbers - Duplicate numbers indicate multiple part numbers are in effect for the same general item, such as different size saw blade guards in use or a part that has been updated on newer versions of the same machine.



When ordering a part that has more than one item number listed, check the remarks column for help in determining the proper part to order.

PART NO. Column

Numbers Used - Part numbers can be indicated by a number, a blank entry, or TBD.

TBD (To Be Determined) is generally used to show a part that has not been assigned a formal part number at time of publication.

A blank entry generally indicates that the item is not sold separately or is not sold by Multiquip. Other entries will be clarified in the “Remarks” Column.

QTY. Column

Numbers Used - Item quantity can be indicated by a number, a blank entry, or A/R.

A/R (As Required) is generally used for hoses or other parts that are sold in bulk and cut to length.

A blank entry generally indicates that the item is not sold separately. Other entries will be clarified in the “Remarks” Column.

REMARKS Column

Some of the most common notes found in the “Remarks” Column are listed below. Other additional notes needed to describe the item can also be shown.

Assembly/Kit - All items on the parts list with the same unique symbol will be included when this item is purchased.

Indicated by:
“INCLUDES ITEMS W/(unique symbol)”

Serial Number Break - Used to list an effective serial number range where a particular part is used.

Indicated by:
“S/N XXXXX AND BELOW”
“S/N XXXX AND ABOVE”
“S/N XXXX TO S/N XXX”

Specific Model Number Use - Indicates that the part is used only with the specific model number or model number variant listed. It can also be used to show a part is NOT used on a specific model or model number variant.

Indicated by:
“XXXXX ONLY”
“NOT USED ON XXXX”

“Make/Obtain Locally” - Indicates that the part can be purchased at any hardware shop or made out of available items. Examples include battery cables, shims, and certain washers and nuts.

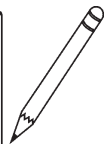
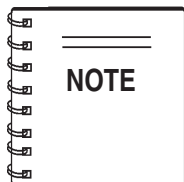
“Not Sold Separately” - Indicates that an item cannot be purchased as a separate item and is either part of an assembly/kit that can be purchased, or is not available for sale through Multiquip.

HTN 27K-28K— SUGGESTED SPARE PARTS

HTN 27K/28K KOHLER ENGINES

1 Unit

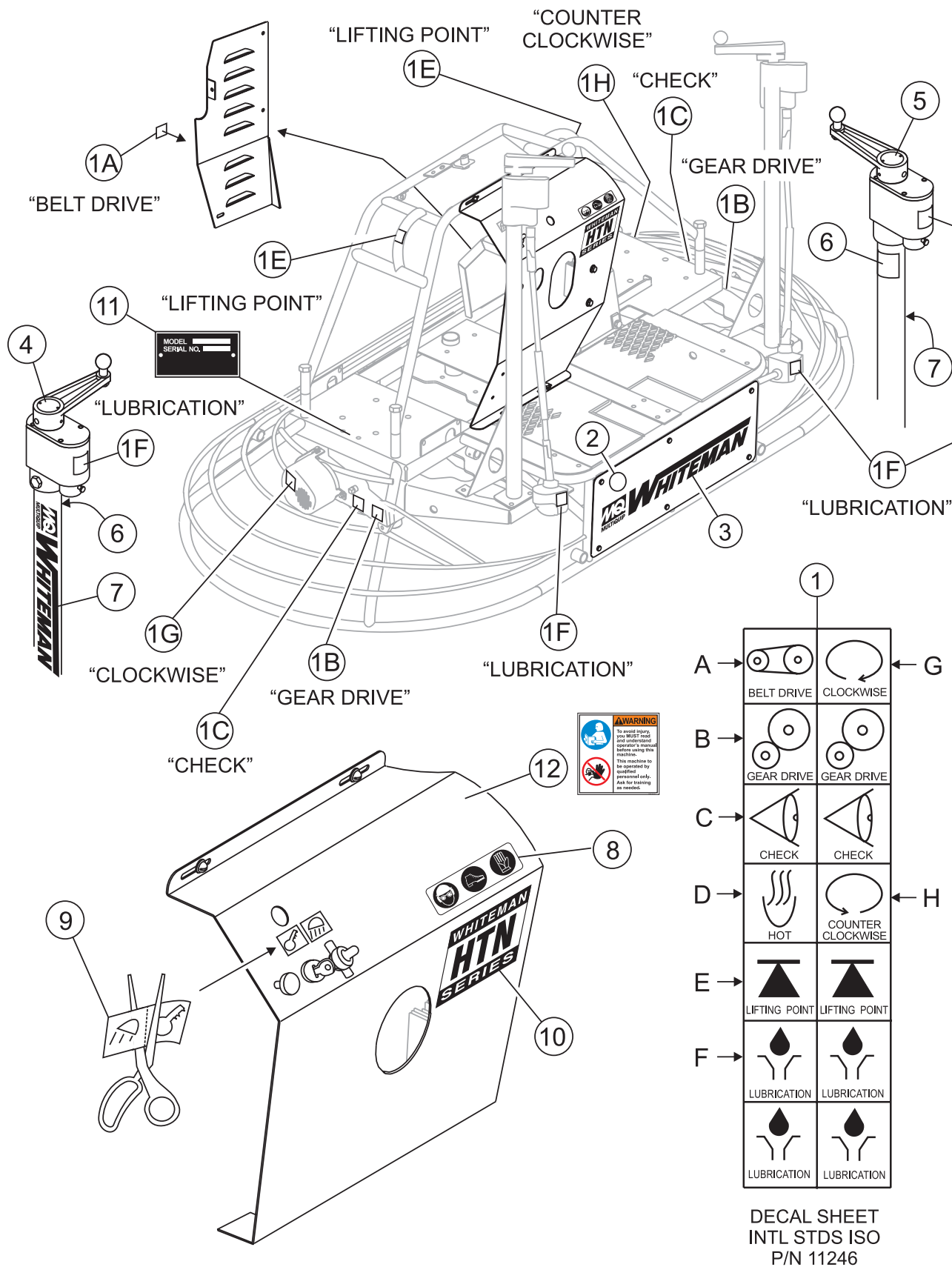
Qty.	P/N	Description	Qty.	P/N	Description
			10	10031	WASHER 1/4 IN.
			1	12548	SPRAY PUMP
			1	392292	SPRAY NOZZEL
			1	2108	CAP, SPRAY TANK
			1	2673	CIRCUIT BREAKER 30A, 12V
			1	4682	TOGGLE SWITCH
			1	8381	BOOT, TOGGLE SWITCH
			1	12005	ENGINE-OFF SAFETY SWITCH
			1	12018	CONNECTOR, RELAY
			1	12017	RELAY, ENGINE-OFF SWITCH
			1	2405002S	FUEL FILTER, PRIMARY, 27 HP
			1	2405010S	FUEL FILTER, SECONDARY, 27 HP
			1	0450905002	FUEL FILTER, CANNISTER 28 HP
			1	2439320S	FUEL PUMP, 28 HP
			1	2408303S	ELEMENT, AIR FILTER 27/28 HP
			1	2408303S	ELEMENT, PRE-CLEAN 27/28 HP
			1	5205002S	OIL FILTER, 27HP
			1	1205001S	OIL FILTER, 28, HP
			2	2513212S	SPARK PLUG, 27 HP
			2	1213202S	SPARK PLUG, 28 HP
			1	20138	BELT, CVT-COMET
			1	5475521S	REGULATOR, RECTIFIER 27HP
			1	2540308S	REGULATOR, RECTIFIER 28HP
4	21495	TROWEL ARM, LH			
4	2829	TROWEL ARM, RH			
4	11903	LEVER TROWEL ARM (L.S.)			
4	11904	LEVER TROWEL ARM (R.S.)			
2	20938	THRUST COLLAR KIT			
2	12785	SPIDER KIT			
20	0166 A	WASHER			
20	1876	JAM NUT			
20	0164 B	SCREW			
4	11039	BUSHING			
4	11595	SPRING (L.S.)			
4	11594	SPRING (R.S.)			
20	1875	WASHER			
20	1322	SCREW ASSY, ARM RETAINING			
20	1162 A	CAP GREASE FITTING			
4	0131 A	SCREW (HHC 1/4 - 20 X 3/4)			
4	0948	WASHER, FLAT			
1	20138	BELT, DRIVE CVT			
20	0181 B	WASHER 1/4 IN			
1	11418	FUEL CAP/GAUGE (ENG)			
1	19633	BUSHING, RUBBER FUEL			
1	2124	CABLE, THROTTLE (FOOT PEDAL)			
1	2153	ROD END, FEM RH (THROTTLE CABLE)			
6	11143	ROD END, FEM RH 1/2 - 20 (STEERING)			
4	2063	ROD END, MALE RH 3/8 - 24 (STEERING)			
2	11142	ROD END, MALE RH 1/2 - 20 (STEERING)			
4		BLADE ASSY. CONTACT UNIT SALES DEPT/ ACCESSORY ITEM			



Part numbers on this Suggested Spare Parts List may supersede/replace the P/N shown in the text pages of this book.

HTN 27K-28K— NAMEPLATE AND DECALS

DECALS



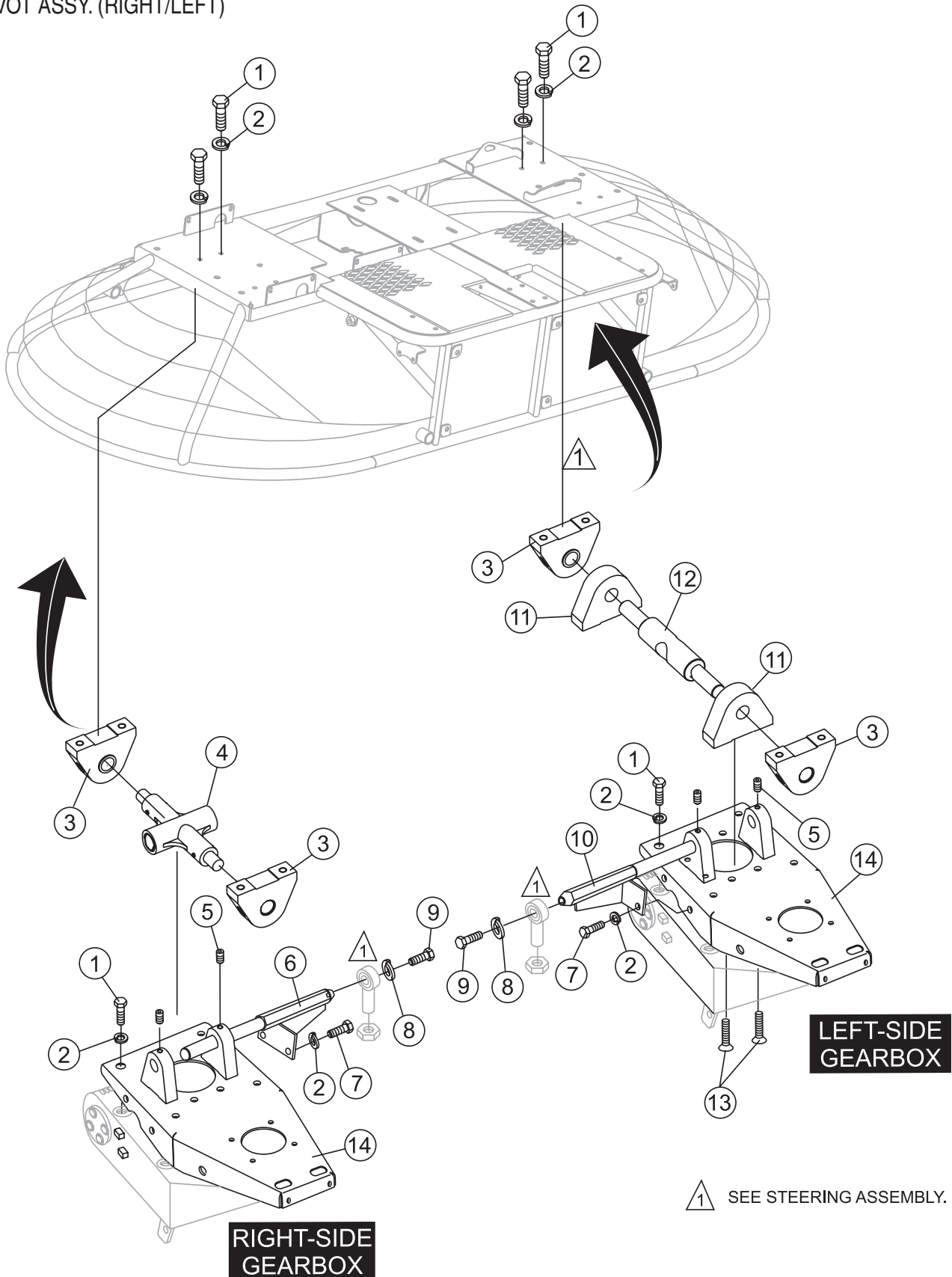
HTN 27K-28K— NAMEPLATE AND DECALS

NAMEPLATE AND DECALS

<u>NO.</u>	<u>PART NO.</u>	<u>PART NAME</u>	<u>QTY.</u>	<u>REMARKS</u>
1	11246	DECAL SET, INTERNATIONAL STDS	1	INCLUDES ITEMS W/*
1A*		DECAL, BELT DRIVE	1	
1B*		DECAL, GEAR DRIVE	1	
1C*		DECAL, CHECK OIL	1	
1D*		DECAL, HOT SURFACE	1	
1E*		DECAL, LIFT POINT	1	
1F*		DECAL, LUBRICATION	1	
1G*		DECAL, CLOCKWISE ROTATION	1	
1H*		DECAL, COUNTER-CLOCKWISE ROTATION	1	
2	13118	DECAL, POWDER COATED	1	
3	10818	DECAL, MQ-WHITEMAN 24 X 3	1	
4	2300	DECAL, AL PITCH RH	1	
5	2332	DECAL, AL PITCH LH	1	
6	2634	DECAL, SPRING SAFETY	2	
7	1499	DECAL, MQ-WHITEMAN RED/TOWER	2	
8	36099	DECAL, SAFETY CLOTHING ISO BLUE	1	REPLACES 11247
9	2814	DECAL, CONTROL PANEL	1	
10	20923	DECAL, HTN SERIES	1	
11		SERIAL PLATE	1	CONTACT PARTS DEPT.
12	35137	DECAL, READ OPERATOR'S MANUAL	1	

HTN 27K-28K— PIVOT ASSY. (RIGHT/LEFT)

PIVOT ASSY. (RIGHT/LEFT)



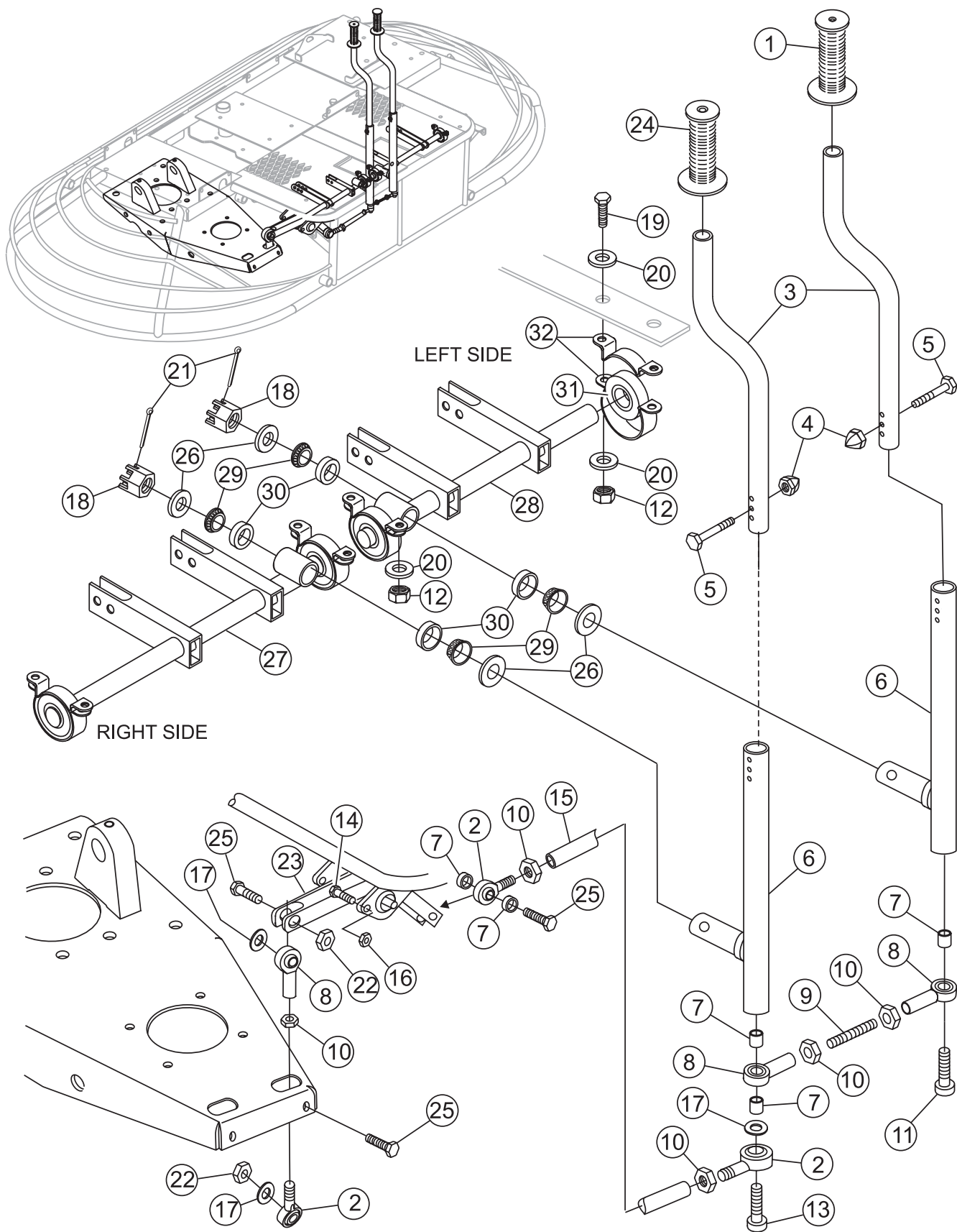
HTN 27K-28K— PIVOT ASSY. (RIGHT/LEFT)

PIVOT ASSY. (RIGHT/LEFT)

<u>NO.</u>	<u>PART NO.</u>	<u>PART NAME</u>	<u>QTY.</u>	<u>REMARKS</u>
1	1023	SCREW, HHC 3/8 - 16 X 1-1/4	16	
2	0166 A	WASHER, LOCK, 3/8 MED.	20	
3	2304	ROCKER BLOCK WITH BUSHING	4	
4	2146	PIVOT, DOUBLE ROCKER	1	
5	10138	SCREW, SHS 5/16 - 18 X 5/16	4	
6	12412	ARM, PIVOT RIGHT	1	
7	4196	SCREW, HHC 3/8 - 16 X 3/4	4	
8	5054	WASHER, LOCK 1/2 MED	2	
9	8136	SCREW, HHC 1/2 - 20 X 1-1/2	2	
10	12413	ARM, PIVOT LEFT	1	
11	2312	ROCKER BLOCK, WITH SET	2	
12	2145	PIVOT JOINT, SINGLE ROCKER	1	
13	1394	SCREW, FHSC 3/8 - 16 X 1	4	
14	11248	PLATE, GEARBOX ADAPTOR	2	

HTN 27K-28K— STEERING HANDLES ASSY. (RIGHT/LEFT)

STEERING HANDLES ASSY. (RIGHT/LEFT)



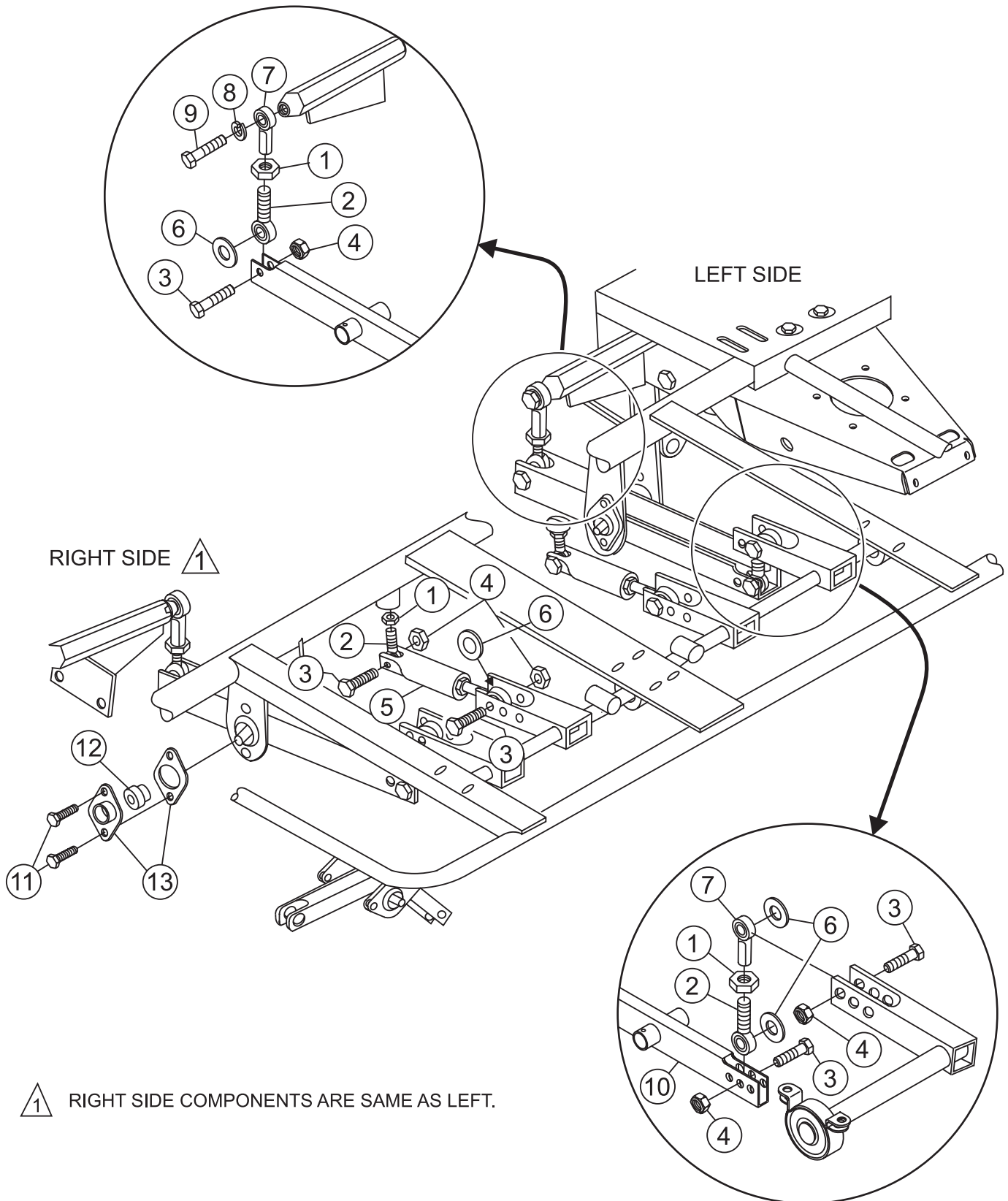
HTN 27K-28K— STEERING HANDLES ASSY. (RIGHT/LEFT)

STEERING HANDLES ASSY. (RIGHT/LEFT)

<u>NO.</u>	<u>PART NO.</u>	<u>PART NAME</u>	<u>QTY.</u>	<u>REMARKS</u>
1	0189	GRIP, HANDLE LT	1	
2	11142	ROD END, 1/2 - 20 MALE RH	3	
3	11177	HANDLE, TUBE	2	
4	2197	NUT, ACORN, 1/4 - 20	2	
5	5277	SCREW HHC 1/4 - 20 X 1-1/2	2	
6	12425	HANDLE, STEERING, LOWER	2	
7	11141	SPACER, ROD END	5	
8	11143	ROD END, 1/2 - 20 FEMALE RH	3	
9	11173	THREADPIECE, 1/2 - 20 X 2 PLTD	1	
10	11146	NUT, HEX JAM 1/2 - 20	5	
11	11144	SCREW, SHC 1/2 - 20 X 2 PLTD	1	
12	10133	NUT, NYLOC 3/8 -16	8	
13	11145	SCREW, SHC 1/2 -20 X 3 PLTD	1	
14	0131 A	SCREW HHC 1/4 - 20 X 3/4	1	
15	11205	ROD, L/R MOTION	1	
16	10024	NUT, NYLOC 1/4 - 20	1	
17	0447	WASHER, FLAT 1/2 SAE	3	
18	12426	NUT, SLOTTED 3/4 - 16 PLTD	2	
19	1023	SCREW, HHC 3/8 - 16 X 1-1/4 GR5	8	
20	10136	WASHER, FLAT SAE 3/8	16	
21	2219	PIN, COTTER 1/8 X 1-1/2	2	
22	10176	NUT, NYLOC 1/2 - 13	2	
23	12193	LEVER, L/R CONTROL	1	
24	2267	GRIP, HANDLE RT	1	
25	EM963105	SCREW, HHC 1/2 - 13 X 2	3	REPLACES 6159 A
26	8151	WASHER, FLAT SAE 3/4	4	
27	12374	STEERING CONTROL RS ASSIST	1	
28	12375	STEERING CONTROL LS ASSIST	1	
29	0735	BEARING CUP, TIMKEN #A6157	4	
30	0735 A	BEARING CONE TIMKEN #A6075	4	
31	11149	BEARING, SB-204-12	4	
32	11138	BEARING HSG, P-BLOCK 47MPB(2PC)	4	

HTN 27K-28K— STEERING ASSIST CONTROL ASSY. (LEFT/RIGHT)

STEERING ASSIST CONTROL ASSY. (LEFT/RIGHT)



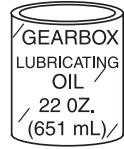
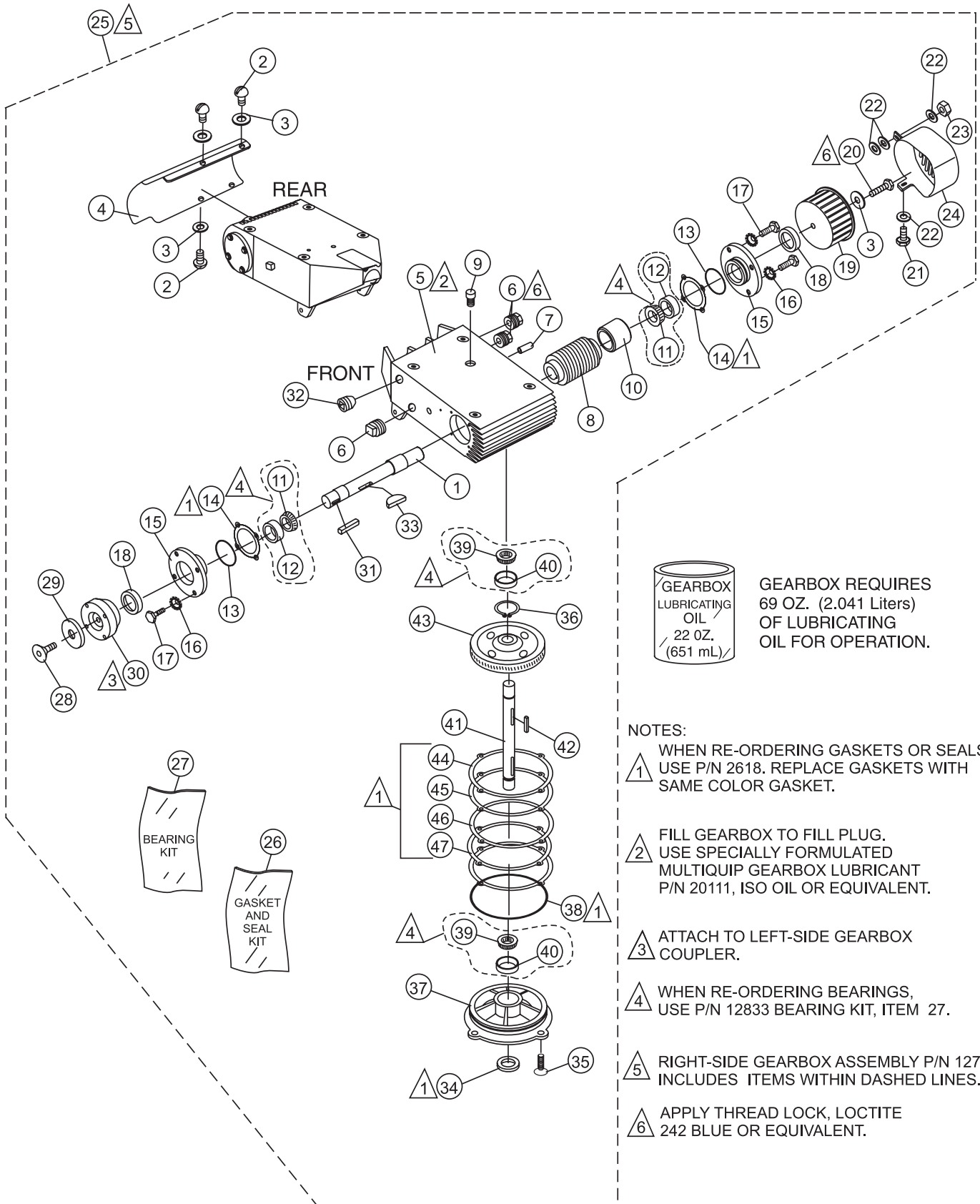
HTN 27K-28K— STEERING ASSIST CONTROL ASSY. (LEFT/RIGHT)

STEERING ASSIST CONTROL ASSY. (LEFT/RIGHT)

<u>NO.</u>	<u>PART NO.</u>	<u>PART NAME</u>	<u>QTY.</u>	<u>REMARKS</u>
1	11146	NUT, HEX JAM 1/2 -20 PLTD	6	
2	11142	ROD END, 1/2 - 20 MALE RH	6	
3	EM963105	SCREW, HHC 1/2 -13 X 2	10	REPLACES 6159 A
4	10176	NUT, NYLOC 1/2 -13	10	
5	12200	STEERING ASSIST ASSEMBLY	2	
6	0447	WASHER, FLAT 1/2 SAE	8	
7	11143	ROD END, 1/2 - 20 FEMALE RH	4	
8	5054 A	WASHER, LOCK 1/2 MED	2	
9	8136	SCREW, HHC 1/2 - 20 X 1-1/2	2	
10	11127	LEVER, STEERING CONTROL	2	
11	0131 A	SCREW/ HHC 1/4 - 20 X 3/4	12	
12	11150	BEARING, SB-201 - 8	6	
13	11139	HOUSING SET, BEARING FLANGE 40M-2	6	

HTN 27K-28K— GEARBOX ASSY. (RIGHT-SIDE)

GEARBOX ASSY (RIGHT-SIDE)



GEARBOX REQUIRES
69 OZ. (2.041 Liters)
OF LUBRICATING
OIL FOR OPERATION.

- NOTES:
- 1 WHEN RE-ORDERING GASKETS OR SEALS USE P/N 2618. REPLACE GASKETS WITH SAME COLOR GASKET.
 - 2 FILL GEARBOX TO FILL PLUG. USE SPECIALLY FORMULATED MULTIQUIP GEARBOX LUBRICANT P/N 20111, ISO OIL OR EQUIVALENT.
 - 3 ATTACH TO LEFT-SIDE GEARBOX COUPLER.
 - 4 WHEN RE-ORDERING BEARINGS, USE P/N 12833 BEARING KIT, ITEM 27.
 - 5 RIGHT-SIDE GEARBOX ASSEMBLY P/N 12788 INCLUDES ITEMS WITHIN DASHED LINES.
 - 6 APPLY THREAD LOCK, LOCTITE 242 BLUE OR EQUIVALENT.

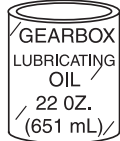
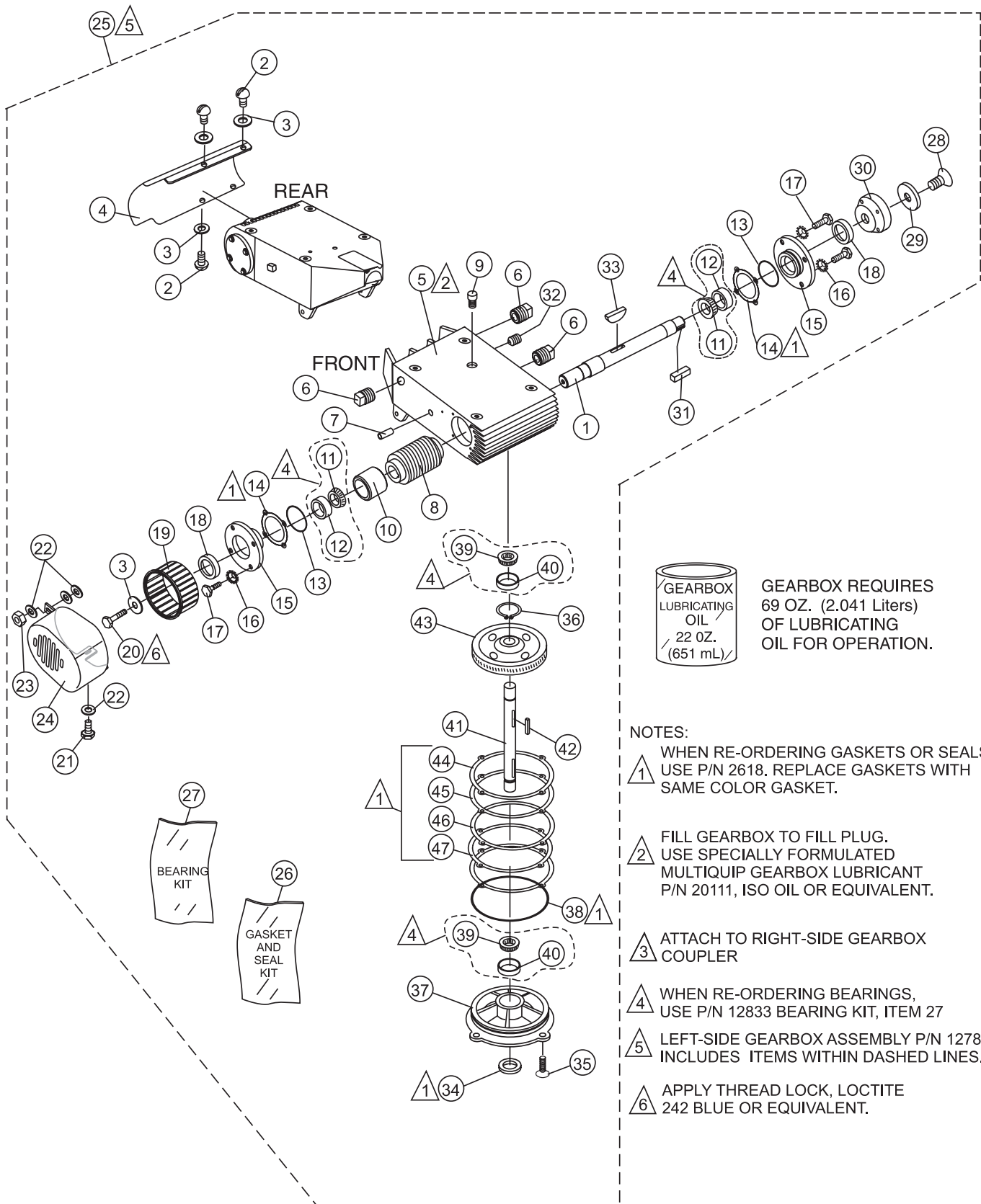
HTN 27K-28K— GEARBOX ASSY. (RIGHT-SIDE)

GEARBOX ASSY (RIGHT-SIDE)

<u>NO.</u>	<u>PART NO.</u>	<u>PART NAME</u>	<u>QTY.</u>	<u>REMARKS</u>
1%	12906	SHAFT, GEARBOX INPUT W/FAN	1	
2%	5031 A	SCREW, RHM 1/4-20 X1/2	4	
3%	0948	WASHER, FLAT, 1/4 SAE	5	
4%	12981	SHROUD, GB FIN COVER, RIGHT	1	
5%	12765	GEAR BOX HD RIDER 1-1/4 SHAFT	1	HOUSING ONLY
6%	0121 A	FITTING, PLUG 3/8MP SQUARE HEAD	3	
7%	10989	STUD, N10 - 32 X 3/4	1	
8%	12908	RIGHT HAND WORM	1	
9%	1132	VENT, AIR	1	
10%	12583	SPACER, X 11D X 1.168L	1	
11*%	9045	BEARING, CONE TIMKEN #1986	2	
12*%	0232 A	BEARING, CUP, TIMKEN #1932	2	
13+%	2309	O-RING, 2 -13/16" VINTON	2	
14+%		GASKET, RED	1	SOLD AS KIT ONLY
15%	2307	FLANGE, COUNTERSHAFT	2	
16%	10031	WASHER, EXT SHKP 1/4	8	
17%	2295	SCREW, HHC 1/4-20 X 7/8	8	
18%	12909	SEAL, OIL, NATIONAL #471689V	2	
19%	10921	FAN, RIGHT (CW)	1	
20%	0730	SCREW, HHC 1/4-20 X 1	1	
21%	19477	SCREW, HHC, WASHER 10-32 X 1/2	1	
22%	2203	WASHER, FLAT #10 SAE	4	
23%	10019	NUT, NYLOC 10-32	1	
24%	10894	RIGHT-SIDE FAN COVER	1	
25	12788	GEAR BOX ASSY., COMPLETE RIGHT-SIDE	1	INCLUDES ITEMS W/%
26	2618	GASKET KIT	1	INCLUDES ITEMS W/+
27%	12833	BEARING KIT	1	INCLUDES ITEMS W/*
28%	1313	SCREW, FHSC 3/8 - 24 X 3/4 PLAIN	1	
29%	9120	RETAINER, DRIVEN PULLEY	1	
30%	2048	COUPLER - 7/8" ID	1	
31%	2323	KEY, 1/4 X1/4 X13/16	1	
32%	10450	SCREW, SHS 10-32 X1/4	1	
33%	1139	KEY, WOODRUFF #21 HARDENED	1	
34+%	12769	SEAL, 1-1/4 DIA NAT # 471766V	1	
35%	20875	SCREW, FHS 5/16 -18 X 3/4	4	
36%	12770	RING, SNAP TRUARC #5100 - 125	1	
37%	12766	COVER, HD GEARBOX 1-1/4 SHAFT	1	
38+%	9038	O-RING, A - 264 VITON	1	
39*%	12767	BEARING, CUP, TIMKEN #15245	2	
40*%	12768	BEARING, CONE TIMKEN #15126	2	
41%	12764	SHAFT, MAIN HD RIDER 1-1/4 SHAFT	1	
42%	9180	KEY, 5/16 X 2 -1/4 HRDND	1	
43%	12772	GEAR, WORM RH. HT 1-1/4	1	
44+%		GASKET, RED	1	SOLD AS KIT ONLY
45+%		GASKET, GREEN	1	SOLD AS KIT ONLY
46+%		GASKET, BLUE	1	SOLD AS KIT ONLY
47+%		GASKET, BROWN	1	SOLD AS KIT ONLY
48+%		GASKET, YELLOW	1	SOLD AS KIT ONLY

HTN 27K-28K— GEARBOX ASSY. (LEFT-SIDE)

GEARBOX ASSY (LEFT-SIDE)



GEARBOX REQUIRES
69 OZ. (2.041 Liters)
OF LUBRICATING
OIL FOR OPERATION.

- NOTES:
- ① WHEN RE-ORDERING GASKETS OR SEALS USE P/N 2618. REPLACE GASKETS WITH SAME COLOR GASKET.
 - ② FILL GEARBOX TO FILL PLUG. USE SPECIALLY FORMULATED MULTIQUIP GEARBOX LUBRICANT P/N 20111, ISO OIL OR EQUIVALENT.
 - ③ ATTACH TO RIGHT-SIDE GEARBOX COUPLER
 - ④ WHEN RE-ORDERING BEARINGS, USE P/N 12833 BEARING KIT, ITEM 27
 - ⑤ LEFT-SIDE GEARBOX ASSEMBLY P/N 12789 INCLUDES ITEMS WITHIN DASHED LINES.
 - ⑥ APPLY THREAD LOCK, LOCTITE 242 BLUE OR EQUIVALENT.

HTN 27K-28K— GEARBOX ASSY. (LEFT-SIDE)

GEARBOX ASSY (LEFT-SIDE)

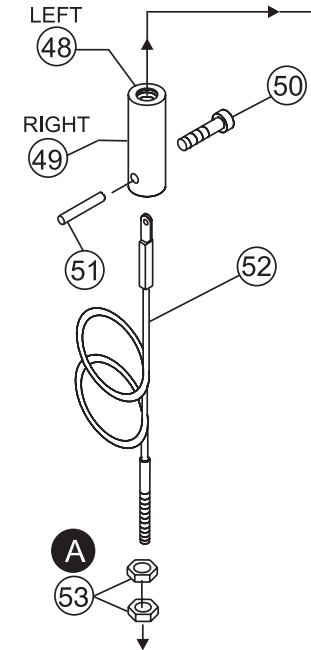
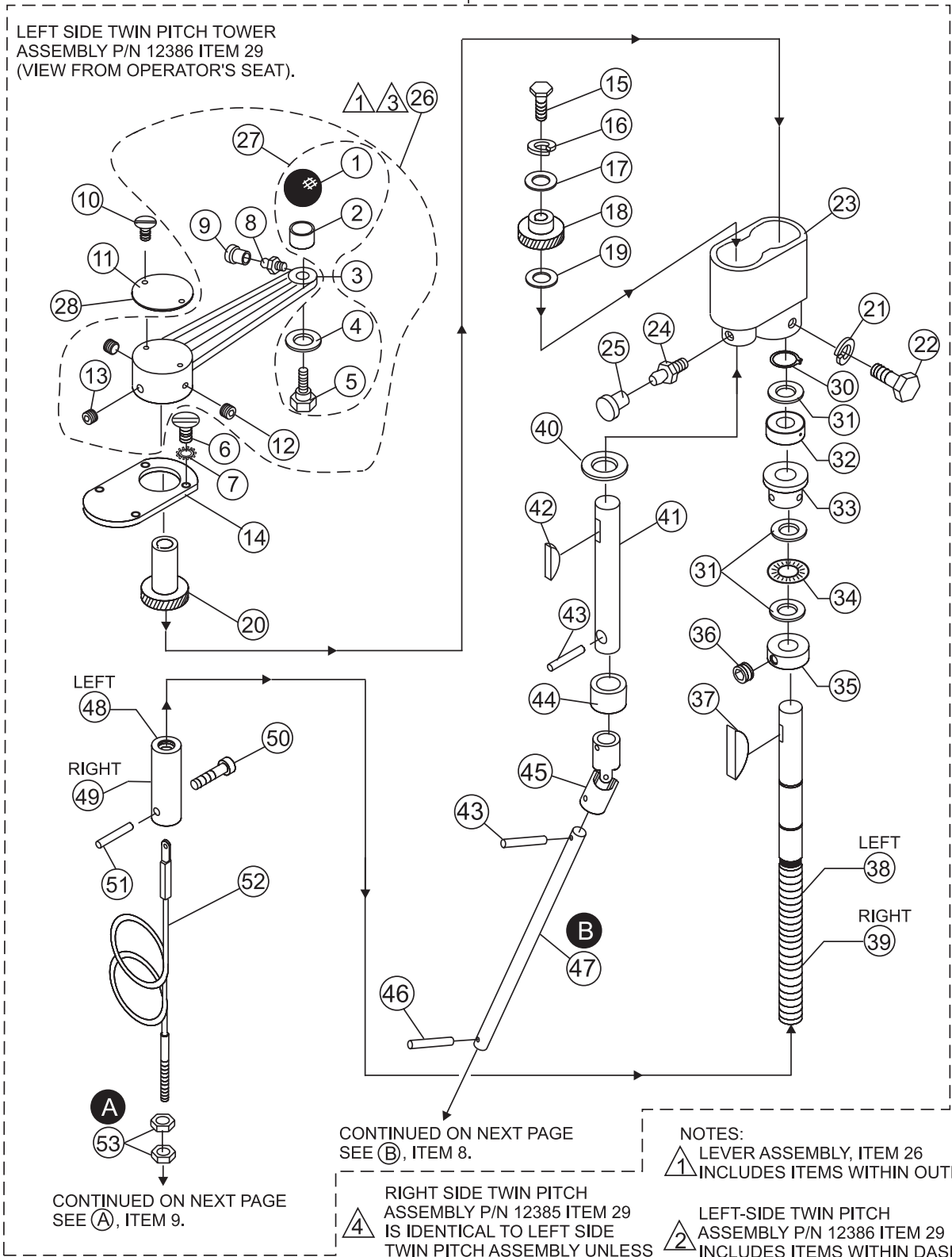
NO.	PART NO.	PART NAME	QTY.	REMARKS
1%	12906	SHAFT, GEARBOX INPUT W/FAN	1	
2%	5031 A	SCREW, RHM 1/4-20 X1/2	4	
3%	0948	WASHER, FLAT, 1/4 SAE	5	
4%	12982	SHROUD, GB FIN COVER, LEFT	1	
5%	12765	GEAR BOX HD RIDER 1-1/4 SHAFT	1	HOUSING ONLY
6%	0121 A	FITTING, PLUG 3/8MP SQUARE HEAD	3	
7%	10989	STUD, N10 - 32 X 3/4	1	
8%	12907	LEFT HAND WORM	1	
9%	1132	VENT, AIR	1	
10%	12583	SPACER, X 11D X 1.168L	1	
11*%	9045	BEARING, CONE TIMKEN #1986	2	
12*%	0232 A	BEARING, CUP, TIMKEN #1932	2	
13+%	2309	O-RING, 2 -13/16" VINTON	2	
14+%		GASKET, RED	1	SOLD AS KIT ONLY
15%	2307	FLANGE, COUNTERSHAFT	2	
16%	10031	WASHER, EXT SHKP 1/4	8	
17%	2295	SCREW, HHC 1/4-20 X 7/8	8	
18%	12909	SEAL, OIL, NATIONAL #471689V	2	
19%	10922	FAN, LEFT (CCW)	1	
20%	0730	SCREW, HHC 1/4-20 X 1	1	
21%	19477	SCREW, HHC, WASHER 10-32 X 1/2	1	
22%	2203	WASHER, FLAT #10 SAE	4	
23%	10019	NUT, NYLOC 10-32	1	
24%	10893	LEFT-SIDE FAN COVER	1	
25	12789	GEAR BOX ASSY., COMPLETE LEFT-SIDE	1	INCLUDES ITEMS W/%
26	2618	GASKET KIT	1	INCLUDES ITEMS W/+
27%	12833	BEARING KIT	1	INCLUDES ITEMS W/*
28%	1313	SCREW, FHSC 3/8 - 24 X 3/4 PLAIN	1	
29%	9120	RETAINER, DRIVEN PULLEY	1	
30%	2048	COUPLER - 7/8" ID	1	
31%	2323	KEY, 1/4 X1/4 X13/16	1	
32%	10450	SCREW, SHS 10-32 X1/4	1	
33%	1139	KEY, WOODRUFF #21 HARDENED	1	
34+%	12769	SEAL, 1-1/4 DIA NAT # 471766V	1	
35%	20875	SCREW, FHS 5/16 -18 X 3/4	4	
36%	12770	RING, SNAP TRUARC #5100 - 125	1	
37%	12766	COVER, HD GEARBOX 1-1/4 SHAFT	1	
38+%	9038	O-RING, A - 264 VITON	1	
39*%	12767	BEARING, CUP, TIMKEN #15245	2	
40*%	12768	BEARING, CONE TIMKEN #15126	2	
41%	12764	SHAFT, MAIN HD RIDER 1-1/4 SHAFT	1	
42%	9180	KEY, 5/16 X 2 -1/4 HRDND	1	
43%	12771	GEAR, WORM LH. HT 1-1/4	1	
44+%		GASKET, RED	1	SOLD AS KIT ONLY
45+%		GASKET, GREEN	1	SOLD AS KIT ONLY
46+%		GASKET, BLUE	1	SOLD AS KIT ONLY
47+%		GASKET, BROWN	1	SOLD AS KIT ONLY
48+%		GASKET, YELLOW	1	SOLD AS KIT ONLY

HTN 27K-28K—TWIN PITCH ASSY. (LEFT /RIGHT)

TWIN PITCH ASSY. (LEFT/RIGHT)

29 2 4

LEFT SIDE TWIN PITCH TOWER
ASSEMBLY P/N 12386 ITEM 29
(VIEW FROM OPERATOR'S SEAT).



CONTINUED ON NEXT PAGE
SEE (A), ITEM 9.

CONTINUED ON NEXT PAGE
SEE (B), ITEM 8.

4 RIGHT SIDE TWIN PITCH
ASSEMBLY P/N 12385 ITEM 29
IS IDENTICAL TO LEFT SIDE
TWIN PITCH ASSEMBLY UNLESS
OTHERWISE NOTED.

NOTES:
1 LEVER ASSEMBLY, ITEM 26
INCLUDES ITEMS WITHIN OUTLINE.

2 LEFT-SIDE TWIN PITCH
ASSEMBLY P/N 12386 ITEM 29
INCLUDES ITEMS WITHIN DASHED
LINES.

3 KNOB KIT P/N 2737 (ITEM 27)
INCLUDES ITEMS 1, 2, 4 AND 5.

HTN 27K-28K—TWIN PITCH ASSY. (LEFT /RIGHT)

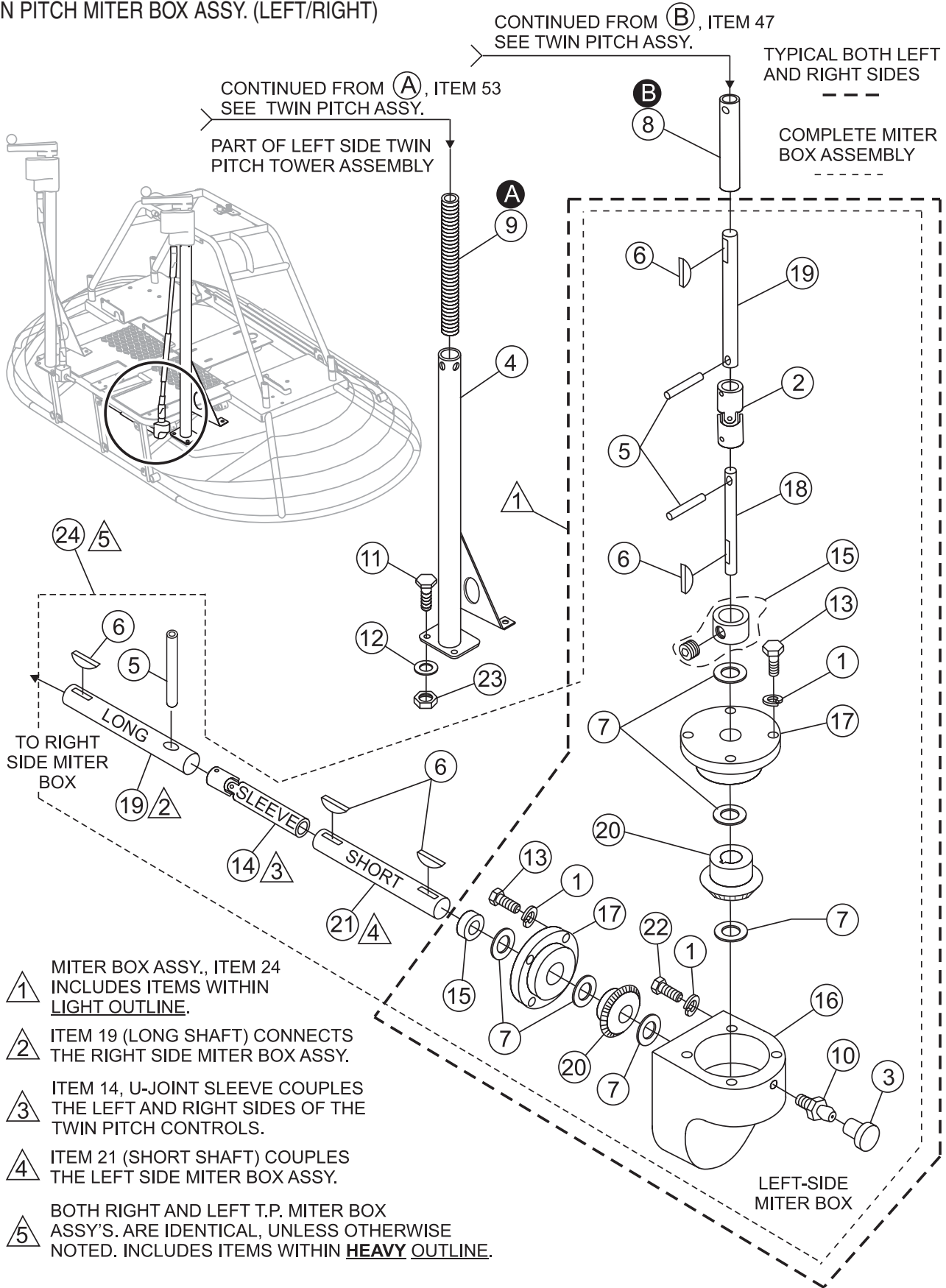
TWIN PITCH ASSY. (LEFT/RIGHT)

NO	PART NO	PART NAME	QTY.	REMARKS
1#	4403	KNOB, SHIFT	1	
2#	3231	SPACER	1	
3#	1615	CRANK LEVER	1	
4#	1733	HARDENED WASHER	1	
5#	1616	SHOULDER BOLT	1	
6+	2620	SCREW, BHC 10 – 24 X 5/8	4	
7	10114	WASHER, EXT. SHKP, #8	4	
8	2621	FITTING GREASE	1	
9	1162 A	CAP, GREASE ZERK/2	1	
10#	4014	SCREW, 2–3/16 P-K TYPE U-DRIVE	2	
11	2300	DECAL, AL PITCH, RH	1	RIGHT-SIDE ONLY
12#	1528	SCREW, SHSS 1/4–20 X 5/16"	2	
13#	0185	SCREW, SHSS 3/8–16 X 3/8"	1	
14+	2649	COVER, PITCH CONT HOUSING	1	
15+	1579	SCREW, HHC 1/4–20 X 1/2	1	
16+	0181 B	WASHER, LOCK, 1/4 MED	4	
17+	0948	WASHER, FLAT, 1/4 SAE	1	
18+	1530	GEAR, SLAVE, TPC	1	
19+	1733	WASHER, 1/32 X 1/2 HARDENED	8	
20+	1529	GEAR, MASTER, TPC	1	
21+	0161 C	WASHER, LOCK 5/16 MED	1	
22+	0655	SCREW, HHC 5/16 –18 X 3/4	1	
23+	10546	HOUSING, PITCH CONTROL, 1–3/4	1	
24+	2621	ZERK, GREASE STR 1/4–28	1	
25+	1162 A	CAP, GREASE ZERK	1	
26	1617	LEVER ASSY, TROWEL ADJUSTMENT	1	INCLUDES ITEMS W/#
27	2737	KNOB, KIT	1	INCLUDES ITEMS W/\$
28	2332	DECAL, AL PITCH, LH	1	LEFT SIDE ONLY
29	12386	TOWER ASSEMBLY, LEFT TPC	1	INCLUDES ITEMS W/+
29	12385	TOWER ASSEMBLY, RIGHT TPC	1	INCLUDES ITEMS W/%
30+	10512	RING, SNAP, TRUARC 5160 – 75	1	
31+	2170	BEARING, RACE, TORR #TRA 1220	3	
32+	1604	BEARING, BALL THRUST	1	
33+	1612	BEARING, ALUM – PITCH CONTR	1	
34+	2169	BEARING, THRUST, TORR #NTA 1220	1	
35+	2367	SET COLLAR	1	INCLUDES ITEM W/■
36+	0685	SCREW, SHS 5/16 - 18 X 5/16	1	
37+	0126	KEY, WOODRUFF #9	1	
38+	10511	SHAFT, PITCH CONTROL, LH TPC	1	LEFT SIDE ONLY
39%	10510	SHAFT, PITCH CONTROL, RH TPC	1	RIGHT SIDE ONLY
40+	1733	WASHER, 1/32 X 1/2 HARDENED	4	
41+	2007	SHAFT	1	
42+	1578	KEY, WOODRUFF, #3	1	
43+	11654	PIN, ROLL 1/8 X 1 PLATED	1	
44+	2311	SPACER, 3/4 X 1/2 X 0.8L	1	
45+	11583	U-JOINT, PITCH CONTROL	1	
46+	1586	PIN, ROLL 1/8 X 3/4	1	
47+	12365	SHAFT, PITCH CONTROL	1	
48+	10722	SLIDE BLOCK, LH PITCH CONTROL	1	LEFT SIDE ONLY
49 %	10721	SLIDE BLOCK, RH PITCH CONTROL	1	RIGHT SIDE ONLY
50+	10382	BOLT, SHOULDER 3/8 X 3/8 LONG	1	
51+	10723	PIN, SPIROL 3/16 X 1 3/8 HD	1	
52+	12460	CABLE, PITCH ASSEMBLY	1	
53+	1116	NUT, BRASS JAM 5/16 –18	2	

NOTE: INDICATED QUANTITIES ARE FOR ONE PITCH TOWER. IF ORDERING FOR TWO PITCH TOWERS DOUBLE QUANTITY.

HTN 27K-28K—TWIN PITCH MITER BOX ASSY. (LEFT/ RIGHT)

TWIN PITCH MITER BOX ASSY. (LEFT/RIGHT)



HTN 27K-28K—TWIN PITCH MITER BOX ASSY. (LEFT /RIGHT)

TWIN PITCH MITER BOX ASSY. (LEFT/RIGHT)

<u>NO</u>	<u>PART NO</u>	<u>PART NAME</u>	<u>QTY.</u>	<u>REMARKS</u>
1*	0181 B	WASHER, LOCK, 1/4 MED	10	
2*	11583	U-JOINT, PITCH CONTROL	1	
3*	1162 A	CAP, GREASE ZERK	1	
4	10548	TUBE, PITCH CONTROL	1	
5*	11654	PIN, ROLL 1/8 X 1"	3	
6*	1578	KEY, WOODRUFF, #3	6	
7*	1733	WASHER, 1/32 X 1/2 HARDENED	6	
8	2012	SLEEVE, ADJ – LONG, RIDER	1	
9	2156	SPRING, COIL	1	
10*	2621	ZERK, GREASE STR 1/4 – 28	1	
11	0202	SCREW, HHC 5/16 –18 X 1	4	
12	0300 B	WASHER, FLAT, 5/16 SAE	4	
13*	0730	SCREW, HHC 1/4 –20 X 1	8	
14*	11653	SLEEVE, W/U-JOINT	1	
15*	1577	SET COLLAR, 1/2	1	
16*	1987	MITER BOX, PITCH CONTROL	1	
17*	1988	MITER BOX, BEARING CAP RIDERS	1	
18*	2021	SHAFT, MITER VERTICAL	1	
19*	2022	SHAFT, MITER	2	
20*	2062	GEAR, MITER	1	
21*	2845	SHAFT, MITER BOX HORIZ	1	
22*	4514	SCREW, HHC 1/4 –20 X 5/8	4	
23	5283	NUT, NYLOC 5/16 –18	4	
24	11655	MITER BOX ASSEMBLY	1	INCLUDES ITEMS W/*

NOTE: INDICATED QUANTITIES ARE FOR ONE MITER BOX. IF ORDERING FOR TWO MITER BOXES, DOUBLE QUANTITY.

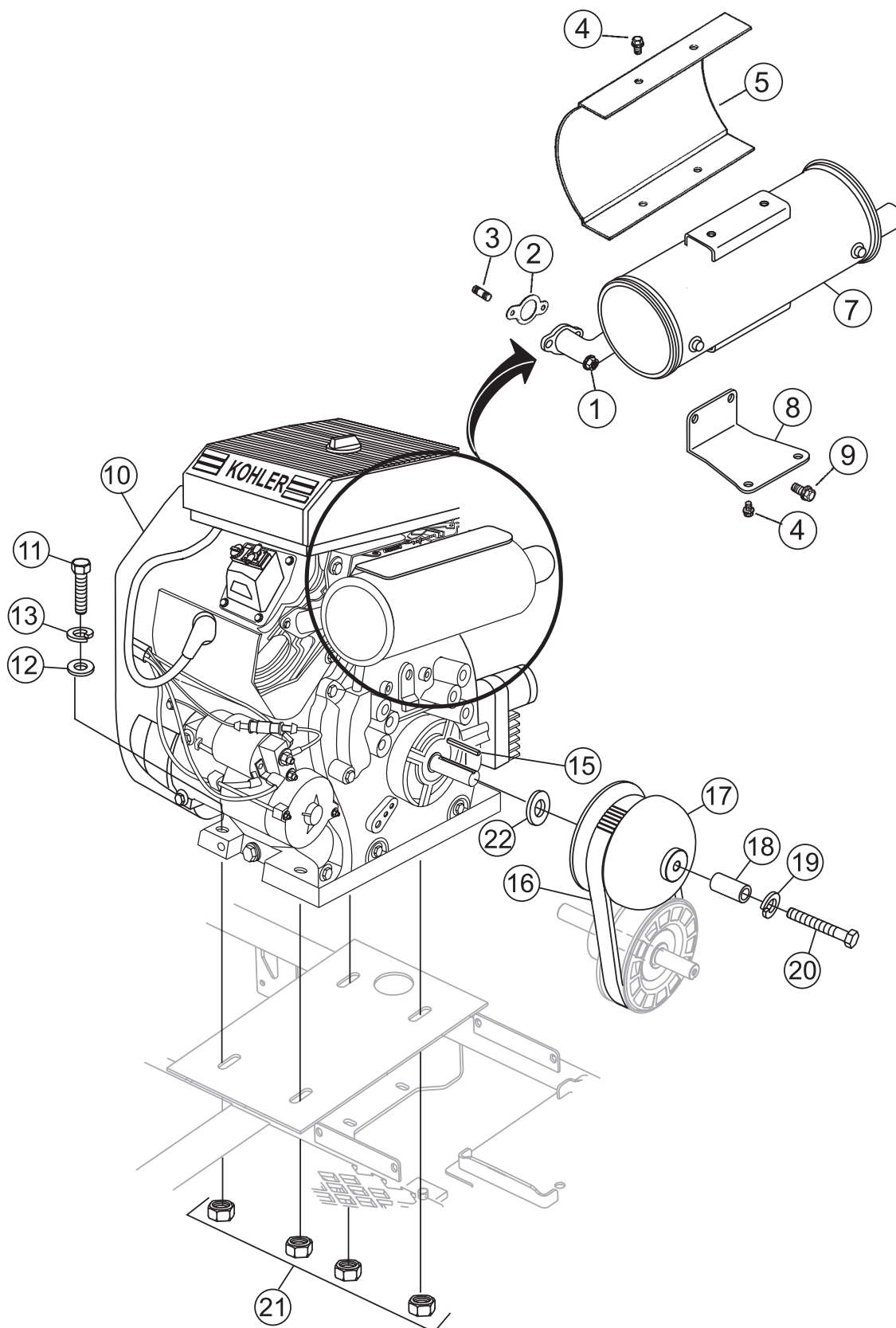
HTN 27K-28K— DRIVE ASSY.

DRIVE ASSEMBLY

<u>NO.</u>	<u>PART NO.</u>	<u>PART NAME</u>	<u>QTY.</u>	<u>REMARKS</u>
1	21494	DRIVE ASSEMBLY, W/COMET	1	INCLUDES ITEMS W/*
2*	20186	PLATE, BEARING MOUNT	2	
3*	300518C	KEY, 1/4 X 3/16 X 3"	1	
4*	0126	KEY, WOODRUFF #9	4	
5*	2090	RING, SNAP TRUARC #5100 - 106	4	
6*	1146	SCREW, FHSC 5/16 - 18 X 1 NYLOC	2	
7*	2037	WASHER, RETAINING	2	
8*	2029	COUPLER, 1 ID. RIDER	1	
9*	10337	BEARING, PILLOW BLOCK FAF YAK- 1	2	
10*	20044	SPACER, BEARING SHAFT	1	
11*	10136	WASHER, FLAT 3/8 SAE	4	
12*	10133	NUT, NYLOC 3/8 - 16	4	
13*	21475	PULLEY, CVT LOWER COMET 302538C	1	
14*	20043	SHAFT, DRIVE BEARING	1	
15*	20116	O-RING, SIZE- 031 BUNA	1	
16*	21491	PANEL, SPLASH RIGHT	1	
17*	12590	COUPLER, CV JOINT COMET CLUTCH	1	
18*	20056	SCREW, HHC 1/4 - 28 X 3/4 GRD. 8	3	
19*	2052	JOINT, CV W/BOOT	4	INCLUDES ITEM W/%
20*	11108	GASKET, CV JOINT BOOT	4	
21*	1662	TIE WRAP, BLACK	4	
22*	0243	SCREW, SHC 5/16 - 18 X 1-3/4	3	
23*	0161 C	WASHER, LOCK, 5/16 MEDIUM	12	
24*	2074	SHAFT, CV JOINT, 9.13 LG	1	
25*%	2259	BOOT, CV JOINT	4	
26*	2186	SCREW, SHC 5/16 -18 X 2 -1/4 PLTD	9	
27*	10748	SHAFT, CV JOINT 10.81 LG	1	
28*	20187	SCREW, HHC 3/8-16 X 1-1/2 SS	4	
29*	10909	KEY, 3/16 X 11/16	1	

HTN 27K-28K— ENGINE/MUFFLER/BELT ASSY. (KOHLER 27 HP)

ENGINE/MUFFLER/BELT ASSY. (KOHLER 27 HP)



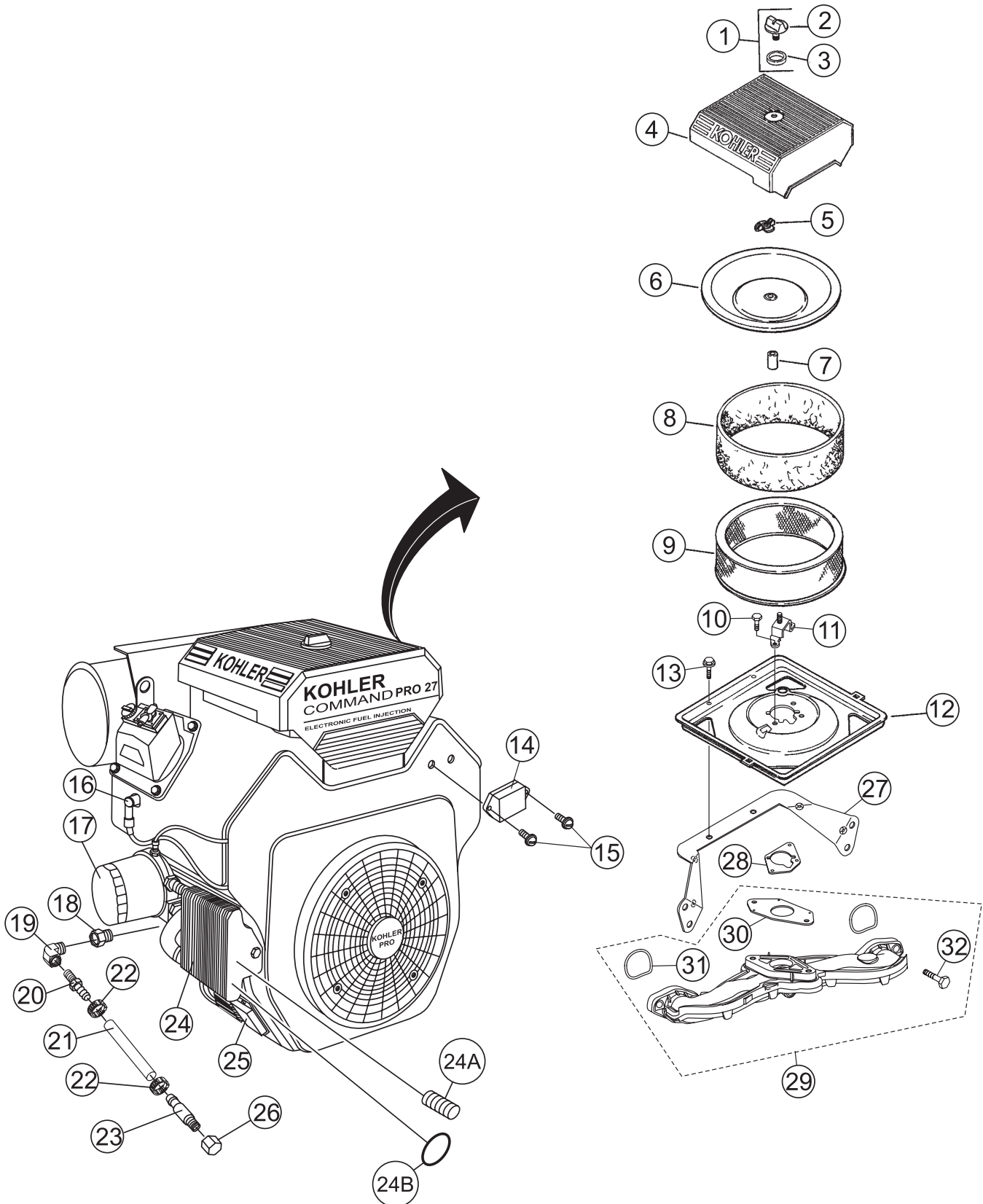
HTN 27K-28K— ENGINE/MUFFLER/BELT ASSY. (KOHLER 27 HP)

ENGINE/MUFFLER/BELT ASSY. (KOHLER 27 HP)

<u>NO.</u>	<u>PART NO.</u>	<u>PART NAME</u>	<u>QTY.</u>	<u>REMARKS</u>
1	M841080S	NUT, FLANGE MUFFLER	4	
2	2404149S	GASKET, EXHAUST MANIFOLD	2	
3	2507204S	STUD, EXHAUST	4	
4	M650012S	SCREW, HEX FLANGE	4	
5	2431404S	INNER HEAT SHIELD, MUFFLER	1	
7	2406836S	MUFFLER, O.F. SIDE OUTLET	1	
8	2412690S	BRACKET, MUFFLER	1	
9	M839020S	SCREW, HEX FLANGE	2	
10	21421	ENGINE, KOHLER 27HP	1	
11	1207	SCREW, HHC 5/16 -18 X 1-3/4	4	
12	0300 B	WASHER, FLAT 5/16 SAE	4	
13	0161 C	WASHER, LOCK 5/16 MED	8	
15	20444	KEY, 0.25 SQ X 2.75	1	
16	20138	BELT, CVT - COMET	1	
17	20846	CLUTCH, 1 - 7/16 CVT COMET	1	
18	21528	SPACER, 1.415 O.D. X .66 I.D. X 1.5 L	1	
29	4703	WASHER, LOCK, 5/8 MED	1	
20	21316	SCREW, HHC 5/8 - 18 X 3	1	
21	5283	NUT, NYLOC 5/16 - 18	4	
22	21489	WASHER, FLAT 1.437 X .032 THK	1	

HTN 27K-28K— AIR CLEANER/OIL FILTER/OILCOOLER ASSY. (27HP)

AIR CLEANER/OIL FILTER/COOLER ASSY. (27 HP)



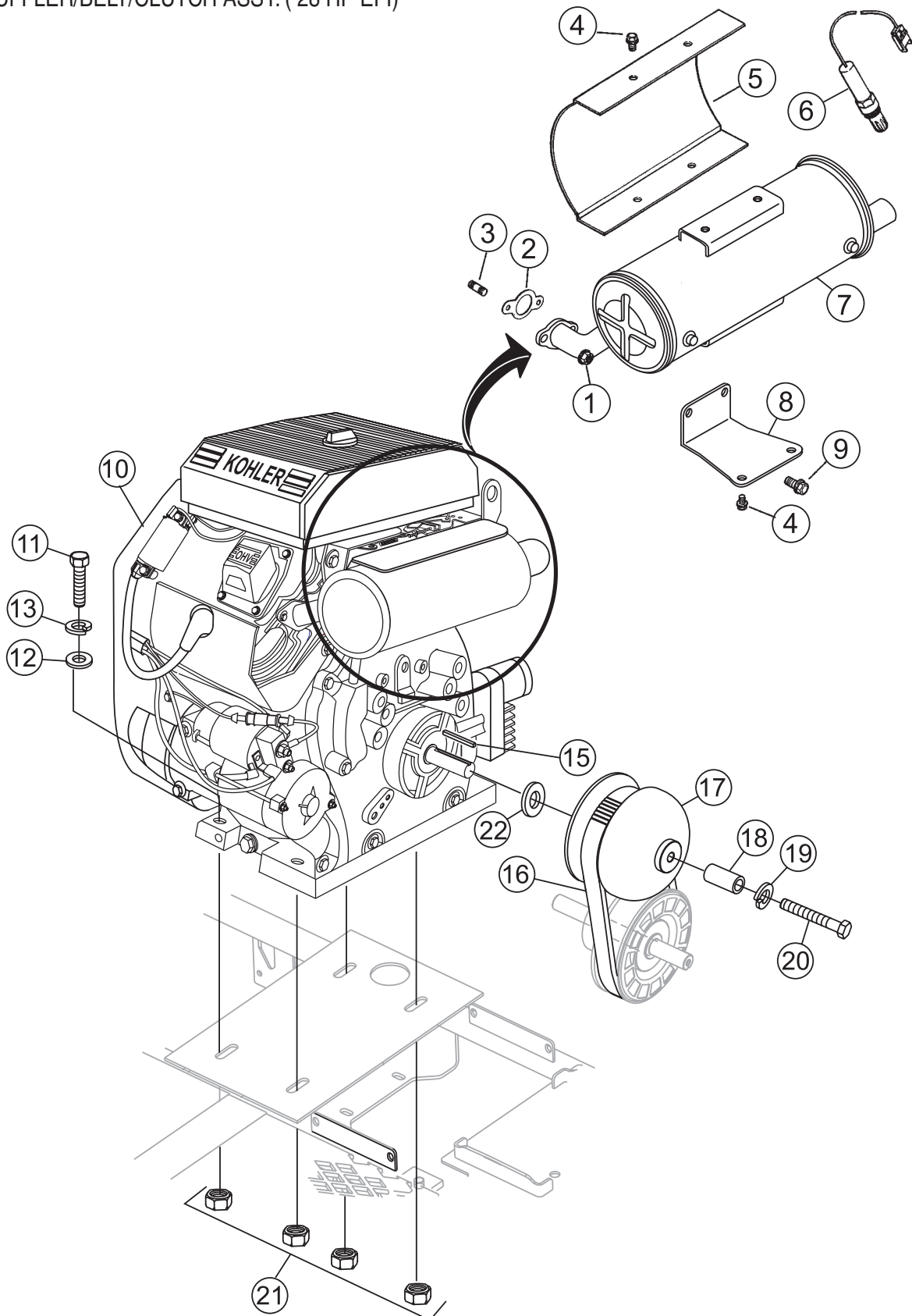
HTN 27K-28K— AIR CLEANER/OIL FILTER/OILCOOLER ASSY. (27HP)

AIR CLEANER/OIL FILTER/COOLER ASSY. (27 HP)

<u>NO.</u>	<u>PART NO.</u>	<u>PART NAME</u>	<u>QTY.</u>	<u>REMARKS</u>
1	5475501S	KIT, KNOB W/SEAL	1	INCLUDES ITEMS W/*
2*	2534104S	KNOB, AIR CLEANER COVER	1	
3*	2415320S	O-RING	1	
4	2409667S	COVER, AIR CLEANER	1	
5	1210001S	WINGNUT	1	
6	2409601S	COVER, INNER AIR CLEANER	1	
7	230046S	SEAL BREATHER	1	
8	2408305S	ELEMENT, PRE-CLEANER	1	
9	2408303S	ELEMENT, AIR FILTER	1	
10	2408653S	SCREW, HEX. FLANGE M6X1.0X16	2	
11	2412688S	BRACKET, AIR CLEANER BASE	1	
12	2409437S	BASE, A/C W/STRTR SIDE DIMPLE	1	
13	2404106S	GASKET, AIR CLEANER BASE	1	
14	2655	HOUR METER	1	
15	8239	RIVET, POP 1/8 DIA X .400 ALUMINUM	2	
16	2513212	SPARK PLUG	2	
17	5205002S	FILTER, OIL	1	
18	19317	PLUG, OIL DRAIN	1	
19	TBD	FITTING, 90 DEGREE	1	
20	370628	FITTING, BRASS 45 6 BARB 1/4MP	1	
21	60045	HOSE, 3/8 ID PUSHLOCK	1	
22	1947	CLAMP, HOSE WORM 1/4 - 5/8	2	
23	12237	FITTING, PUSH-ON 6 HOSE 6MJ	1	
24	5475521S	ALUMINUM BASE OIL COOLER	1	INCLUDES ITEMS W/#
24A#	2813601S	NIPPLE, OIL FILTER	1	
24B#	2415321S	O-RING, OIL COOLER	1	
25	2540305S	REGULATOR, RECTIFIER	1	
26	12236	FITTING, CAP 6F JHEX	1	
27	24126130S	BRACKET, AIR CLEANER	1	
28	2404106S	GASKET, AIR CLEANER BASE	1	
29	2416454S	MANIFOLD, INTAKE	1	INCLUDES ITEMS W/%
30%	2404153S	GASKET, CARBURETOR	1	
31%	2415327S	O-RING, INTAKE PORT	2	
32%	M651040S	SCREW, HEX. FLANGE M6X1.0X40	4	

HTN 27K-28K— ENGINE/MUFFLER/BELT/CLUTCH ASSY. (28 HP EFI)

ENGINE/MUFFLER/BELT/CLUTCH ASSY. (28 HP EFI)



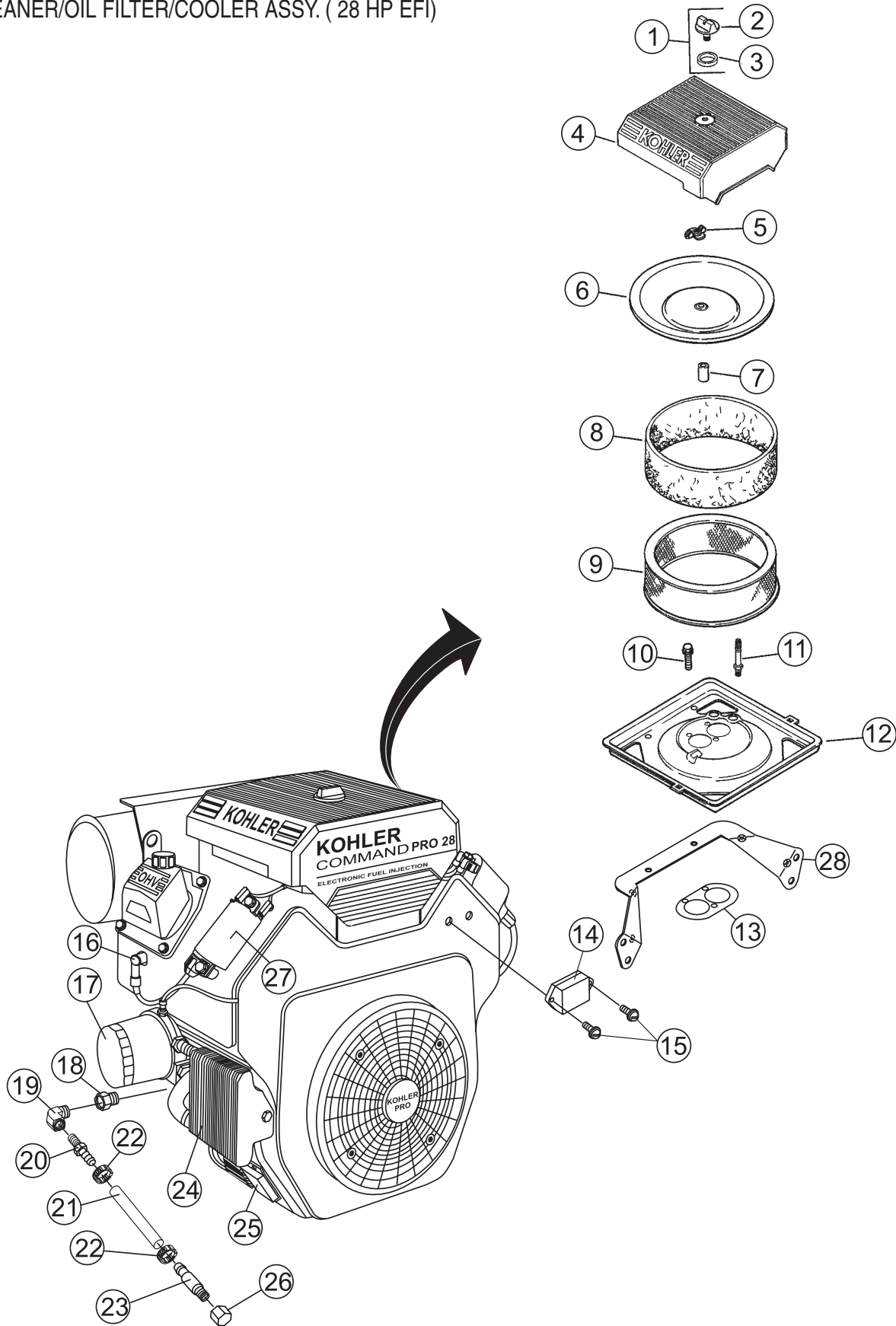
HTN 27K-28K— ENGINE/MUFFLER/BELT/CLUTCH ASSY. (28 HP EFI)

ENGINE/MUFFLER/BELT/CLUTCH ASSY. (28 HP EFI)

<u>NO.</u>	<u>PART NO.</u>	<u>PART NAME</u>	<u>QTY.</u>	<u>REMARKS</u>
1	M841080S	NUT, FLANGE MUFFLER	4	
2	2404149S	GASKET, EXHAUST MANIFOLD	2	
3	2507204S	STUD, EXHAUST	4	
4	M650012S	SCREW, HEX FLANGE	4	
5	2431421S	INNER HEAT SHIED, MUFFLER	1	
6	2441805S	SENSOR, OXYGEN	1	
7	2406851S	MUFFLER	1	
8	2412690S	BRACKET, MUFFLER	1	
9	M839020S	SCREW, HEX FLANGE	2	
10	21422	ENGINE, KOHLER 28HP EFI	1	
11	1207	SCREW, HHC 5/16 -18 X 1-3/4	4	
12	300 B	WASHER, FLAT 5/16 SAE	4	
13	0161 C	WASHER, LOCK 5/16 MED	8	
15	20444	KEY, 0.25 SQ X 2.75	1	
16	20138	BELT, CVT - COMET	1	
17	20846	CLUTCH, 1 - 7/16 CVT COMET	1	
18	21528	SPACER, 1.415 O.D. X .66 I.D. X 1.5 L	1	
29	4703	WASHER, LOCK, 5/8 MED	1	
20	21316	SCREW, HHC 5/8 - 18 X 3	1	
21	11819	SCREW, HHC FLNGD 1/4 - 20 X 3/4	7	
22	21489	WASHER, FLAT 1.437 X .032 THK	1	

HTN 27K-28K— AIR CLEANER/OIL FILTER/COOLER ASSY. (28 HP EFI)

AIR CLEANER/OIL FILTER/COOLER ASSY. (28 HP EFI)



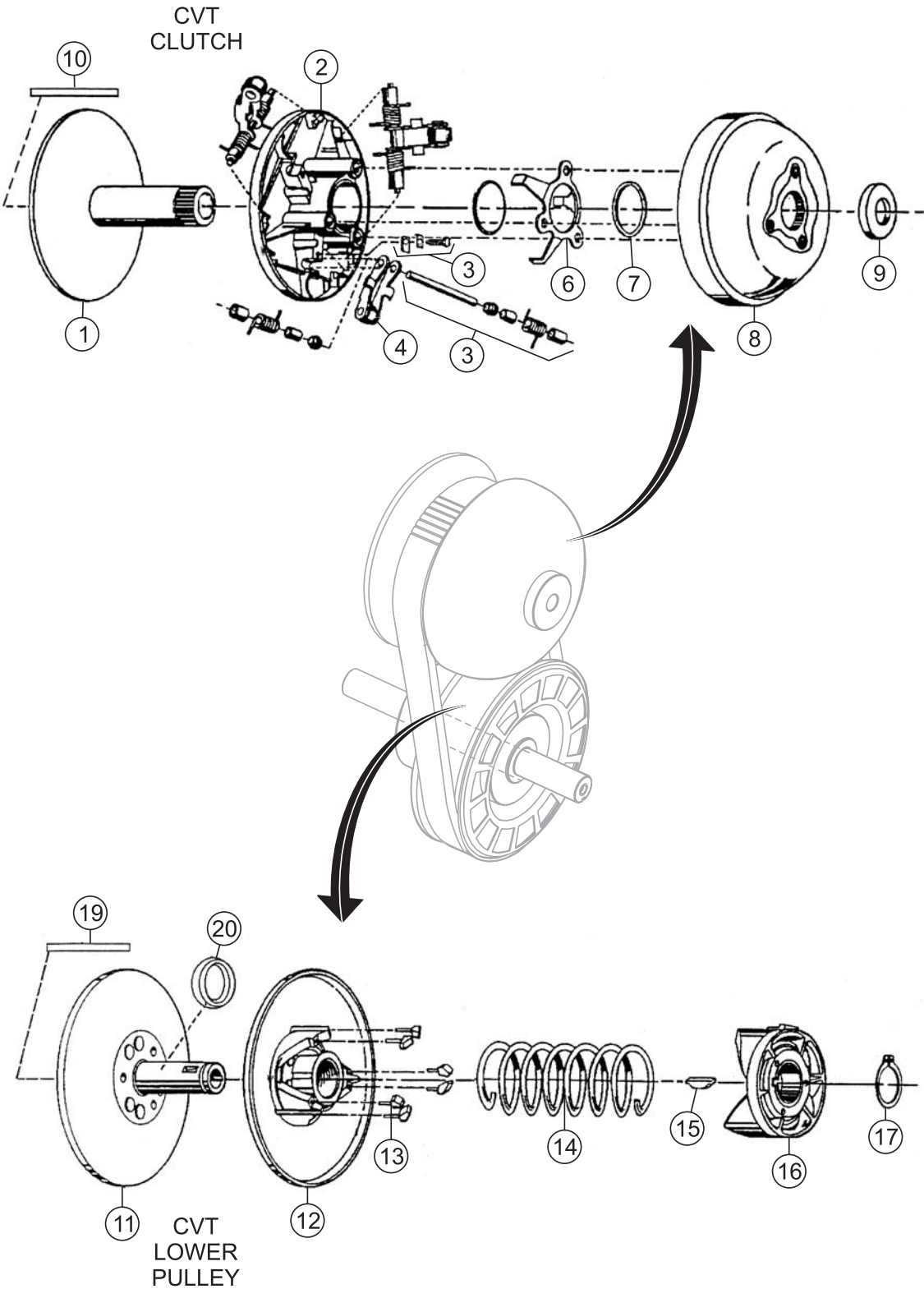
HTN 27K-28K— AIR CLEANER/OIL FILTER/COOLER ASSY. (28 HP EFI)

AIR CLEANER/OIL FILTER/COOLER ASSY. (28 HP EFI)

<u>NO.</u>	<u>PART NO.</u>	<u>PART NAME</u>	<u>QTY.</u>	<u>REMARKS</u>
1	5475501S	KIT, KNOB W/SEAL	1	INCLUDES ITEMS W/*
2*	2534104S	KNOB, AIR CLEANER COVER	1	
3*	2415320S	O-RING	1	
4	2409667S	COVER, AIR CLEANER	1	
5	1210001S	WINGNUT	1	
6	2409601S	COVER, INNER AIR CLEANER	1	
7	2403212S	SEAL BREATHER	1	
8	2408305S	ELEMENT, PRE-CLEANER	1	
9	2408303S	ELEMENT, AIR FILTER	1	
10	2408654S	SCREW, M6 X1X12	2	
11	2407207S	STUD	1	
12	2409435S	BASE, AIR CLEANER	1	
13	2404136S	GASKET, AIR CLEANER BASE	1	
14	2655	HOUR METER	1	
15	8239	RIVET, POP 1/8 DIA X .400 ALUMINUM	2	
16	1213202S	SPARK PLUG	2	
17	1205001S	FILTER, OIL	1	
18	19317	PLUG, OIL DRAIN	1	
19	TBD	FITTING, 90 DEGREE	1	
20	370628	FITTING, BRASS 45 6 BARB 1/4MP	1	
21	60045	HOSE, 3/8 ID PUSHLOCK	1	
22	1947	CLAMP, HOSE WORM 1/4 - 5/8	2	
23	12237	FITTING, PUSH-ON 6 HOSE 6MJ	1	
24	2459431S	KIT, COOLER	1	
25	2540308S	REGULATOR, RECTIFIER EFI	1	
26	12236	FITTING, CAP 6F JHEX	1	
27	2451902S	COIL, IGNITION	2	
28	24126130S	BRACKET, AIR CLEANER BASE	1	

HTN 27K-28K— CVT CLUTCH/LOWER PULLEY ASSY.

CVT CLUTCH/LOWER PULLEY ASSY.



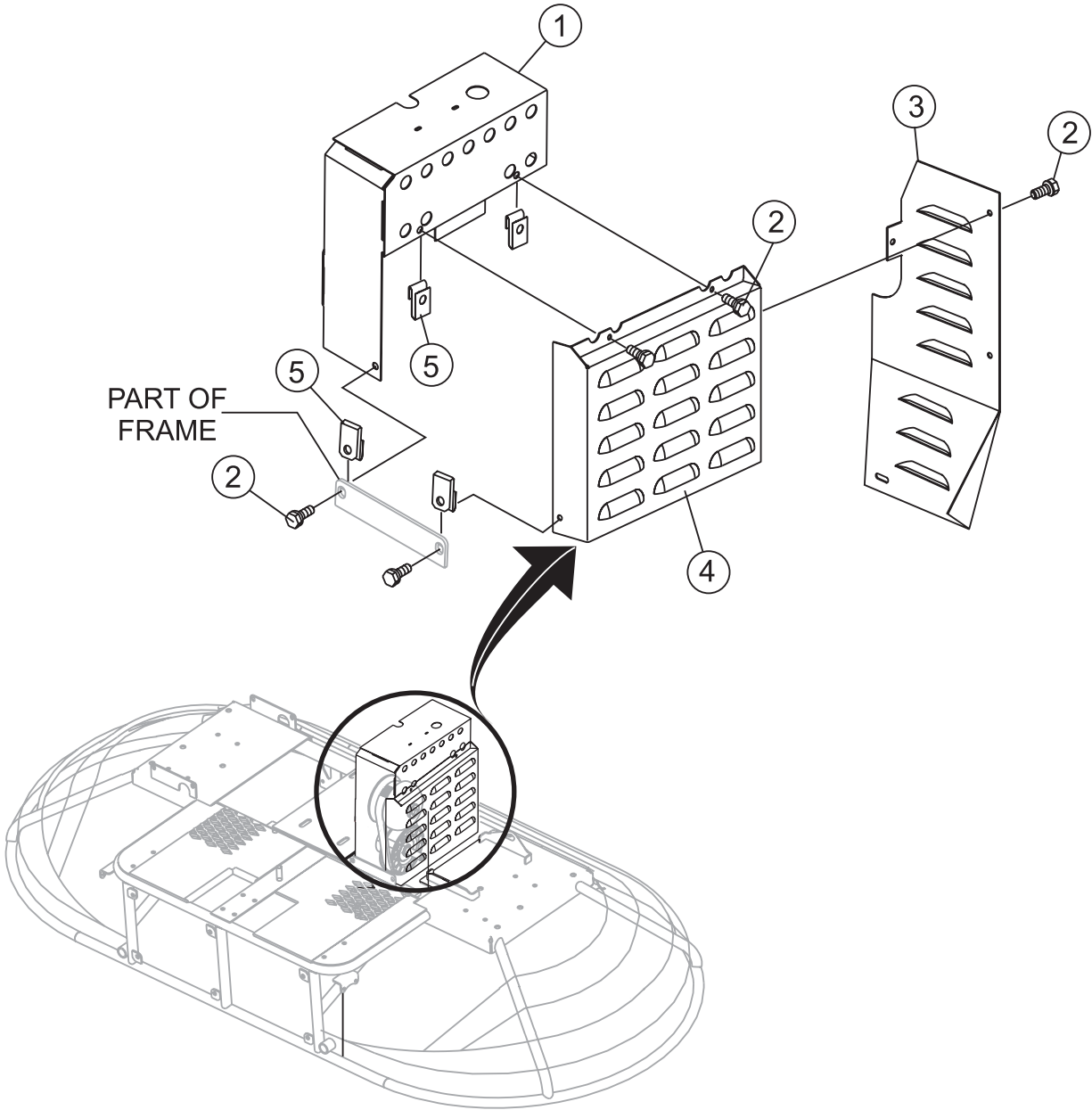
HTN 27K-28K— CVT CLUTCH/LOWER PULLEY ASSY.

CVT CLUTCH/LOWER PULLEY ASSY.

<u>NO.</u>	<u>PART NO.</u>	<u>PART NAME</u>	<u>QTY.</u>	<u>REMARKS</u>
1	302608C	FIXED FACE & POST	1	
2	302607C	MOV. FACE & BRUSH ASSY.	1	
3	302669C	SPRING KIT (RED)	1	
4	302235C	ARM ASSY. (138 GRMS.)	3	
5	300919C	RETAINING RING	1	
6	300917C	RETRACTOR	1	
7	300920C	SPACER	1	
8	302723C	RAMP PLATE ASSY. W/STOPS	1	
9	302520C	RETAINING WASHER	1	
10	302170C	KEY-ENGINE, 3/8 X 1/4	1	
11	302512C	FIXED FACE, W/NUTS AND FAN	1	
12	302657C	MOVEABLE FACE ASSY. W/FAN	1	
13	302307A	CAM SLIPPER KIT (6)	1	
14	300021C	SPRING (GREEN)	1	
15	300061C	WOODRUFF KEY	1	
16	302655C	FIXED CAMP, 35 DEG. SHAVED	1	
17	300047C	RETAINING RING	1	
18	300518C	KEY-SHAFT, 1/4 X 3/16	1	
19	302505C	SPACER 1.39 ID X .27 THK.	1	

HTN 27K-28K— V-BELT COVER/OUTER MUFFLER SHIELD ASSY.

V-BELT COVER/OUTER MUFFLER SHIELD ASSY.



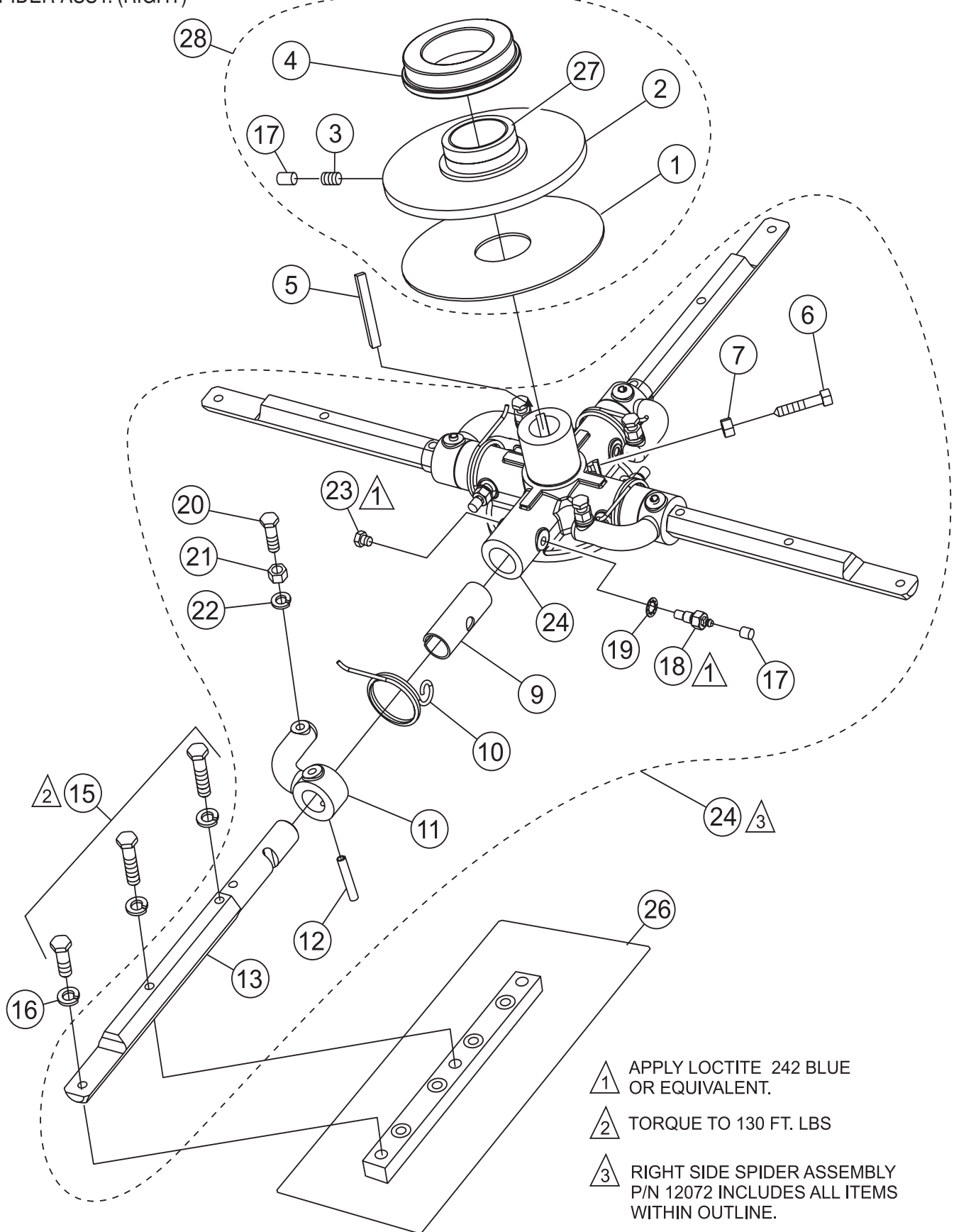
HTN 27K-28K— V-BELT COVER/OUTER MUFFLER SHIELD ASSY.

V-BELT COVER/OUTER MUFFLER SHIELD ASSY.

<u>NO.</u>	<u>PART NO.</u>	<u>PART NAME</u>	<u>QTY.</u>	<u>REMARKS</u>
1	21462	SHIELD, MUFFLER OUTER	1	
2	11819	SCREW, HHC FLANGED 1/4-20X3/4"	7	
3	21312	GUARD, BELT REAR	1	
4	21309	GUARD, BELT	1	
5	11534	NUT, U-TYPE 1/4-20	7	

HTN 27K-28K— SPIDER ASSY. (RIGHT)

SPIDER ASSY. (RIGHT)



- 1** △ APPLY LOCTITE 242 BLUE OR EQUIVALENT.
- 2** △ TORQUE TO 130 FT. LBS
- 3** △ RIGHT SIDE SPIDER ASSEMBLY P/N 12072 INCLUDES ALL ITEMS WITHIN OUTLINE.

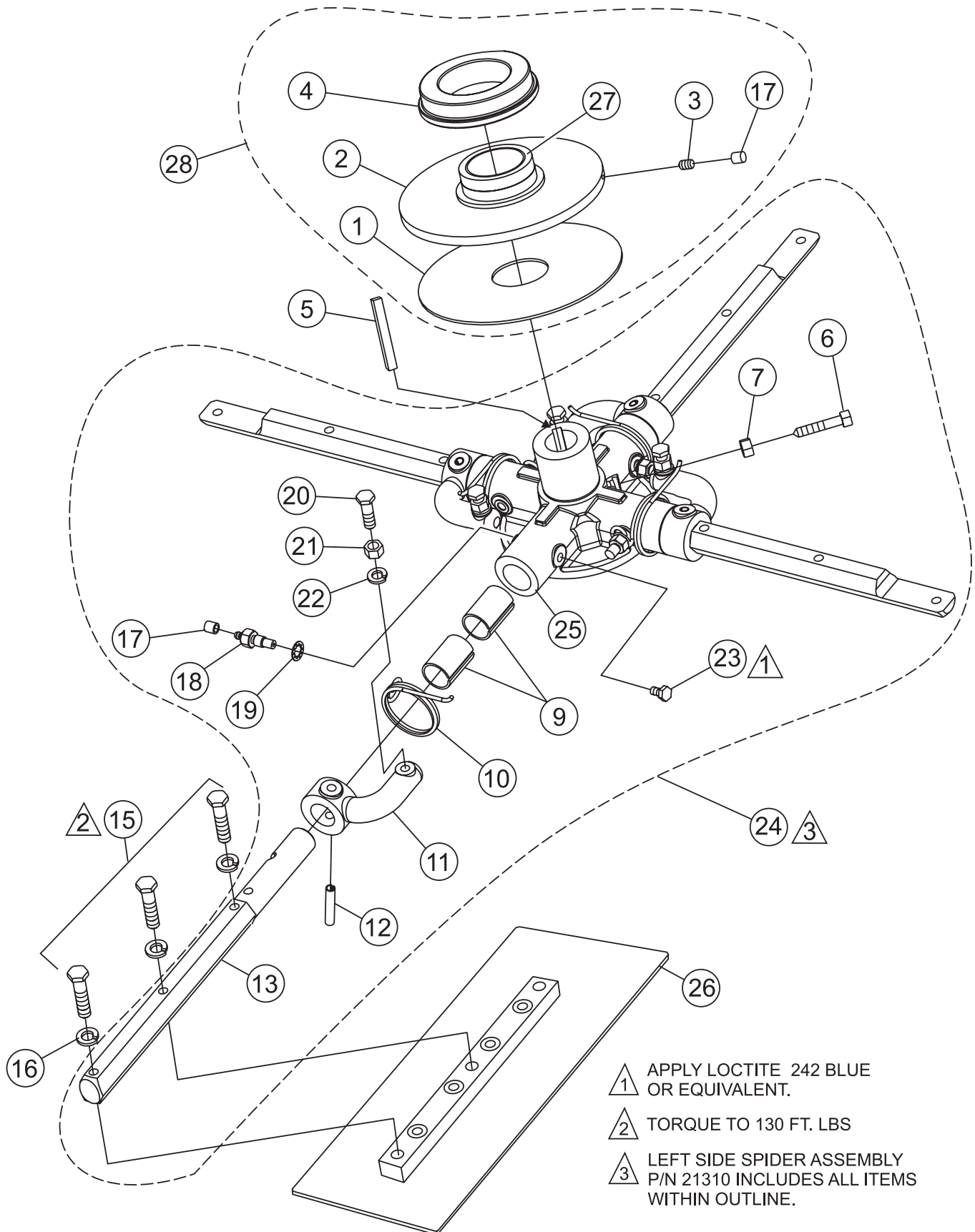
HTN 27K-28K— SPIDER ASSY. (RIGHT)

SPIDER ASSY. (RIGHT)

<u>NO.</u>	<u>PART NO.</u>	<u>PART NAME</u>	<u>QTY.</u>	<u>REMARKS</u>
1%	11419	PLATE, WEAR THRUST COLLAR	1	
2%	11431	THRUST COLLAR W/ BUSHING	1	INCLUDES ITEMS W/+
3%	2621	ZERK, GREASE STR 1/4 - 24	1	
4%	12779	BEARING, THRUST 6017 2RS W/ FLANGE	1	
5	12101	KEY, 5/16 SQ. X 2-5/8 HRDND	1	
6*	12097	SCREW, SQHS 3/8 - 16 X 1-3/4 CONE 8	2	
7*	1456	NUT, HEX FINISH 3/8 - 16	2	
9*	11039	BUSHING, TROWEL ARM 2-PIECE	8	
10*	11594	SPRING, TROWEL ARM LEVER RIGHT	4	
11*	11904	LEVER, TROWEL ARM HAND RIDE SIDE	4	
12*	9006	PIN, ROLL 5/16 X 2 NO PLATE	4	
13*	2829	ARM, TROWEL HD EXT.	4	
15*	1207	SCREW, HHC 5/16 -18 X 1-3/4	12	
16*	0161 C	WASHER, LOCK, 5/16 MED	12	
17*	1162 A	CAP, GREASE ZERK #2	5	
18*	1322	SCREW ASSEMBLY, ARM RETAINING	4	
19*	1875	WASHER, INT. SHKP. 3/8	4	
20*	0164 B	SCREW, TROWEL ADJUSTMENT	4	
21*	1876	NUT, HEX JAM 3/8 - 16 CLASS 2B	4	
22*	0166 A	WASHER, LOCK, 3/8 MEDIUM	4	
23*#	11602	SCREW, HHC 3/8 -16 X 1/4	4	
24	12072	SPIDER/ARM ASSY. R.S. 4BLD 1-1/4 MAIN SHAFT ...	1	INCLUDES ITEMS W/*
25*	12785	SPIDER, SERVICE 4BLD 1-1/4 SHAFT	1	INCLUDES ITEMS W/#
26		BLADE ASSEMBLY	4	CONTACT UNIT SALES DEPT./
			ACCESSORY ITEM
27+%	12316	THRUST COLLAR BUSHING	1	
28%	20938	THRUST COLLAR KIT	1	INCLUDES ITEMS W/%

HTN 27K-28K— SPIDER ASSY. (LEFT)

SPIDER ASSY, (LEFT)



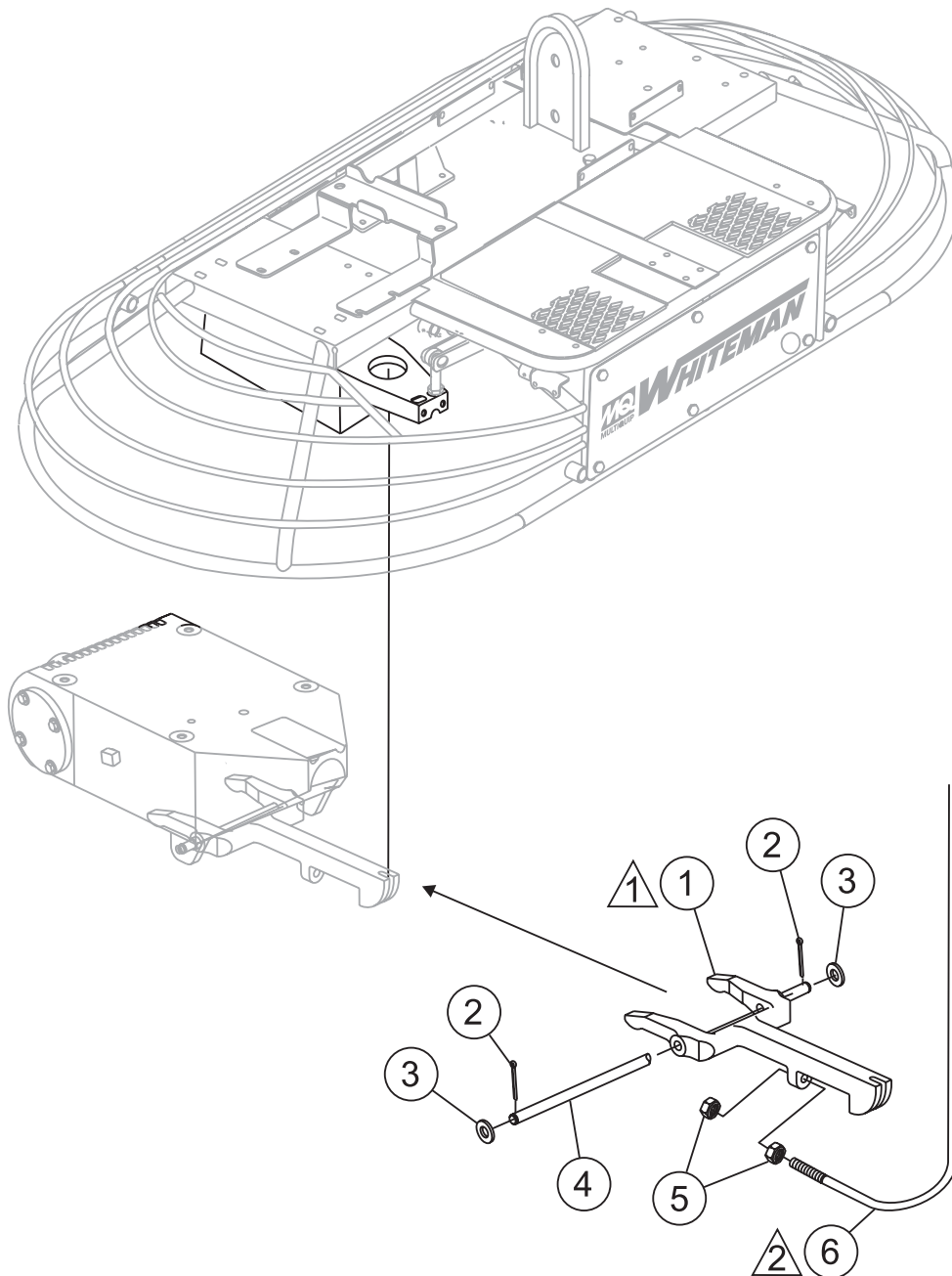
HTN 27K-28K— SPIDER ASSY. (LEFT)

SPIDER ASSY. (LEFT)

<u>NO.</u>	<u>PART NO.</u>	<u>PART NAME</u>	<u>QTY.</u>	<u>REMARKS</u>
1%	11419	PLATE, WEAR THRUST COLLAR	1	
2%	11431	THRUST COLLAR W/ BUSHING	1	INCLUDES ITEMS W/+
3%	2621	ZERK, GREASE 1/4 - 28	1	
4%	12779	BEARING, THRUST 6017 2RS W/ FLANGE	1	
5	12101	KEY, 5/16 SQ. X 2 - 5/8 HRDND	1	
6*	12097	SCREW, SQHS 3/8 - 16 X 1-3/4 CONE 8	2	
7*	1456	NUT, HEX FINISH 3/8 - 16	2	
9*	11039	BUSHING, TROWEL ARM 2-PIECE	8	
10*	11595	SPRING, LEFT TROWEL ARM LEVER	4	
11*	11903	LEVER, TROWEL ARM LEFT SIDE	4	
12*	9006	PIN, ROLL 5/16 X 2 NO PLATE	4	
13*	21495	ARM, TROWEL L.S.	4	
15*	1207	SCREW, HHC 5/16 -18 X 1-3/4	12	
16*	0161 C	WASHER, LOCK, 5/16 MED	12	
17*	1162 A	CAP, GREASE ZERK #2	5	
18*	1322	SCREW ASSY, ARM RETAINING	4	
19*	1875	WASHER, INT. SHKP. 3/8	4	
20*	0164 B	SCREW, TROWEL ADJUSTMENT	4	
21*	1876	NUT, HEX JAM 3/8 - 16 CLASS 2B	4	
22*	0166 A	WASHER, LOCK, 3/8 MEDIUM	4	
23*#	11602	SCREW, HHC 3/8 -16 X 1/4	4	
24	21310	SPIDER ASSY., L.S. 4BLD 1-1/4 MAIN SHAFT	1	INCLUDES ITEMS W/*
25*	12785	SPIDER, SERVICE 4BLD 1-1/4 SHAFT	1	INCLUDES ITEMS W/#
26		BLADE ASSEMBLY	4	CONTACT UNIT SALES DEPT./
			ACCESSORY ITEM
27+%	12316	THRUST COLLAR BUSHING	1	
28%	20938	THRUST COLLAR KIT	1	INCLUDES ITEMS W/%

HTN 27K-28K—YOKE ASSY.

YOKE ASSY.



NOTES:

△ 1 LEFT AND RIGHT YOKE ASSEMBLIES IDENTICAL.

△ 2 SEE TWIN PITCH ASSEMBLY.

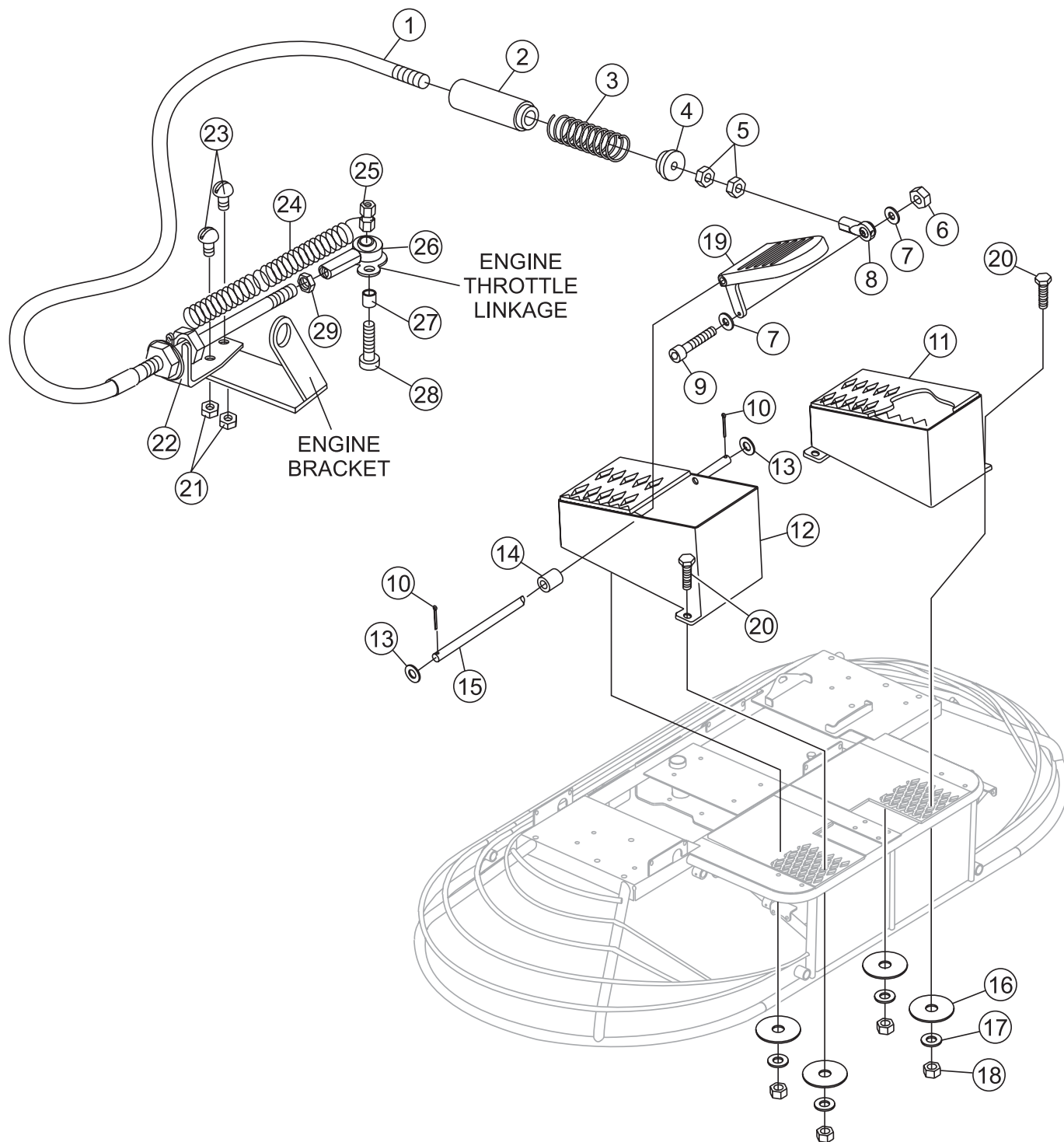
HTN 27K-28K—YOKE ASSY.

YOKE ASSY.

<u>NO.</u>	<u>PART NO.</u>	<u>PART NAME</u>	<u>QTY.</u>	<u>REMARKS</u>
1	12100	YOKE	2	
2	0683	PIN, COTTER 3/32 X 3/4	4	
3	10136	WASHER, FLAT 3/8 SAE	6	
4	9028	PIN, YOKE	2	
5	1116	NUT, BRASS JAM 5/16 -18	4	
6	12460	CABLE ASSEMBLY 26.38 HT-V PITCH	2	

HTN 27K-28K—THROTTLE CABLE/FOOT PEDALS ASSY.

THROTTLE CABLE/FOOT PEDALS ASSY.



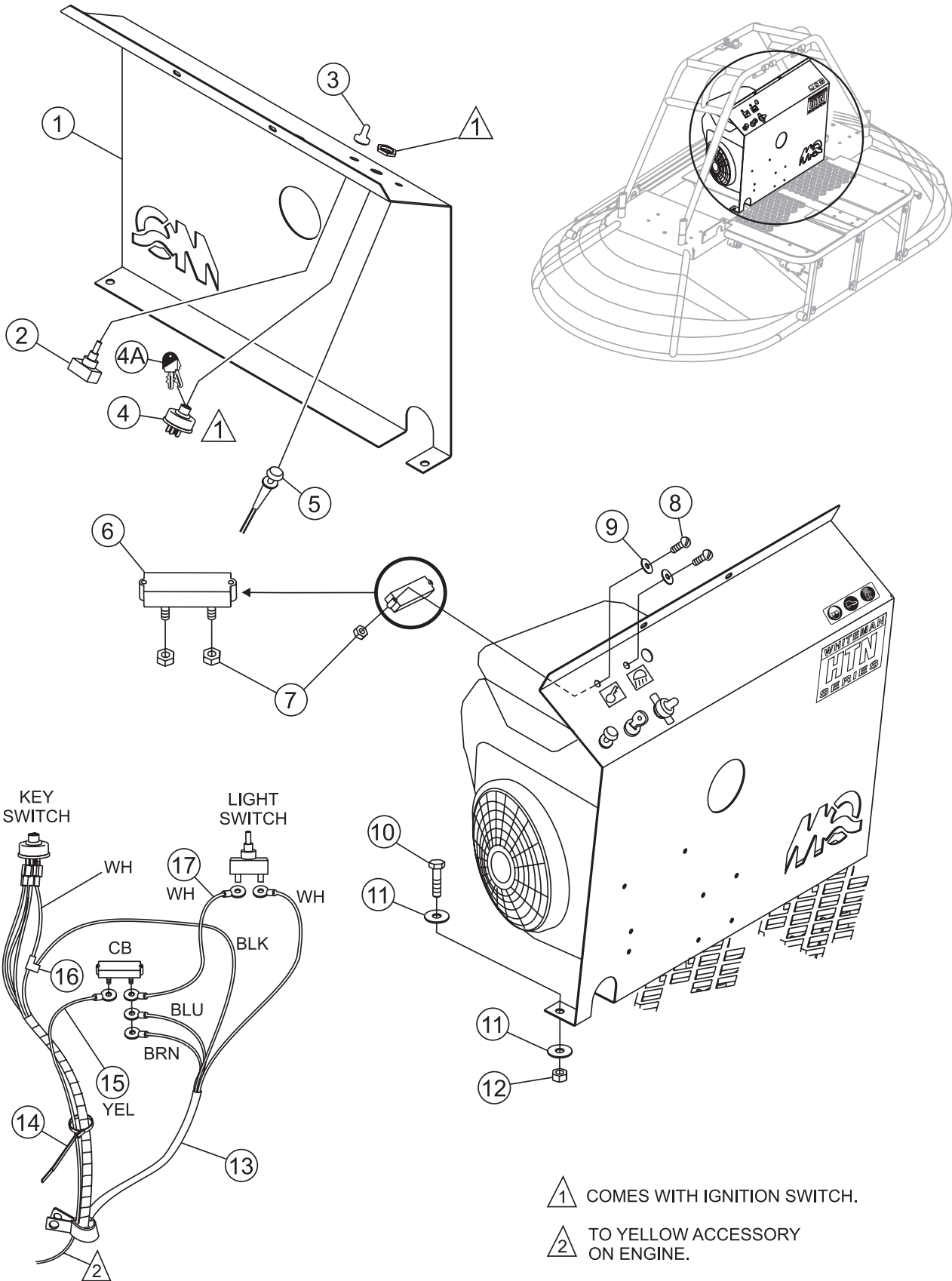
HTN 27K-28K—THROTTLE CABLE/FOOT PEDALS ASSY.

THROTTLE CABLE/FOOT PEDALS ASSY.

<u>NO.</u>	<u>PART NO.</u>	<u>PART NAME</u>	<u>QTY.</u>	<u>REMARKS</u>
1	2124	CABLE, CONTROL (RT)	1	
2	2754	ADAPTER, THROTTLE SPRING, LONG	1	
3	2753	SPRING, THROTTLE RETURN	1	
4	2755	ADAPTER, THROTTLE SPRING, SHORT	1	
5	0937	NUT, HEX 10 - 32 ZINC PLTD	2	
6	10019	NUT, NYLOC 10 - 32	1	
7	2203	WASHER, FLAT #10 SAE	2	
8	2153	ROD END, 10 - 32 FEMALE RH	1	
9	10018	SCREW, SHC 10 - 32 X 1	1	
10	6014 B	PIN, COTTER 3/32 X 1	2	
11	12635	RISER, LEFT FOOT	1	
12	12637	RISER, RIGHT FOOT	1	
13	10136	WASHER, FLAT 3/8 SAE	2	
14	3083	SPACER, 3/4 X 3/8 X 7/8 LONG	1	
15	2772	PIN, ACCELERATOR PEDAL	1	
16	3233	WASHER, FENDER 1.50D X 3/8 ID	4	
17	0300 B	WASHER, FLAT 5/16 SAE	4	
18	5283	NUT, NYLOC 5/16 -18	4	
19	2086	PEDAL ACCELERATOR	1	
20	0202	SCREW, HHC 5/16 - 18 X 1 ZINC	4	
21	10019	NUT, NYLOC 10-32	2	
22	2884	BRACKET, THROTTLE CABLE	1	
23	5065 B	SCREW, RHM 10-32 X 1/2	2	
24	2192	SPRING, EXTENSION RT	2	
25	2194	NUT, THROTTLE	1	
26	2153	ROD END, 10 - 32 FEMALE RH	1	
27	2190	SPACER, THROTTLE	1	
28	10018	SCREW, SHC 10-32 1 NP (1)	1	
29	0937	NUT, FULL HEX 10 - 32 ZINC PLTD	1	

HTN 27K-28K— CONTROL PANEL ASSY. (27 HP)

CONTROL PANEL ASSY. (27 HP)



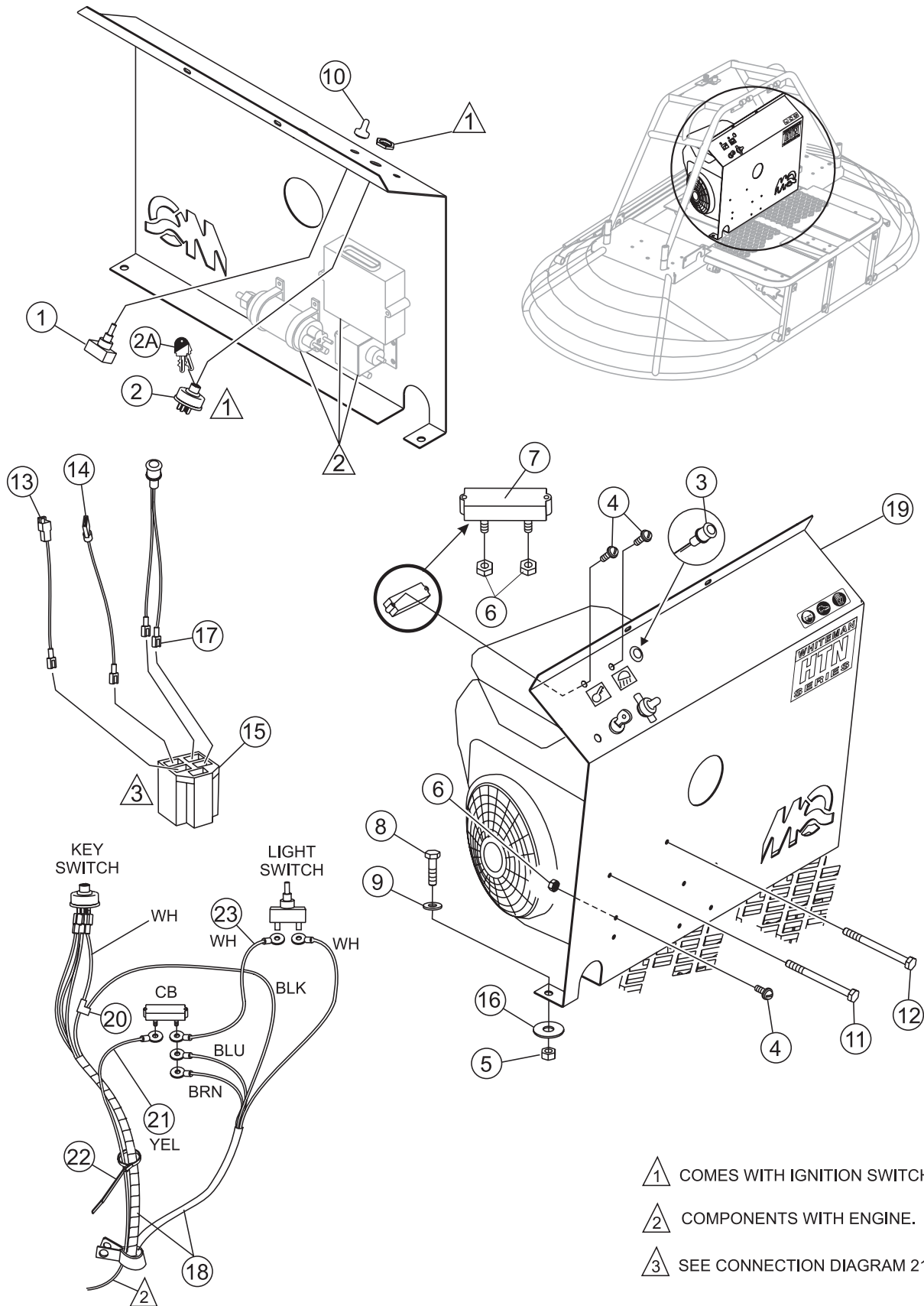
HTN 27K-28K— CONTROL PANEL ASSY. (27 HP)

CONTROL PANEL ASSY. (27 HP)

<u>NO.</u>	<u>PART NO.</u>	<u>PART NAME</u>	<u>QTY.</u>	<u>REMARKS</u>
1	21458	CONTROL PANEL	1	
2	4682	SWITCH, LIGHT TOGGLE	1	
3	8381	BOOT, TOGGLE SWITCH	1	
4	2509904S	IGNITION SWITCH, W/KEY	1	
4A	4834001S1	KEY, IGNITION (SET)	1	
5	11029	CABLE, CHOKE	1	
6	2673	CIRCUIT BREAKER, 30A, 12V	1	
7	10019	NUT, NYLOC 10 - 32	4	
8	5065 B	SCREW, RHM 10 - 32 X 1/2	4	
9	2203	WASHER, FLAT #10 SAE	4	
10	0205	SCREW, HHC 3/8 - 16 X 1	2	
11	4001	WASHER, FLAT USS 3/8 PLD	4	
12	10133	NUT, NYLOC 3/8 - 16	2	
13	2945	HARNESS, WIRE ENGINE	1	
14	60101	TIE WRAP	3	
15	21523	WIRE, YELLOW 10 AWG	1	
16	1475	CONNECTOR, SPLICE TAP	1	
17	2769	WIRE, LITE SWITCH	1	

HTN 27K-28K— CONTROL PANEL ASSY. (28 HP)

CONTROL PANEL ASSY. (28 HP)



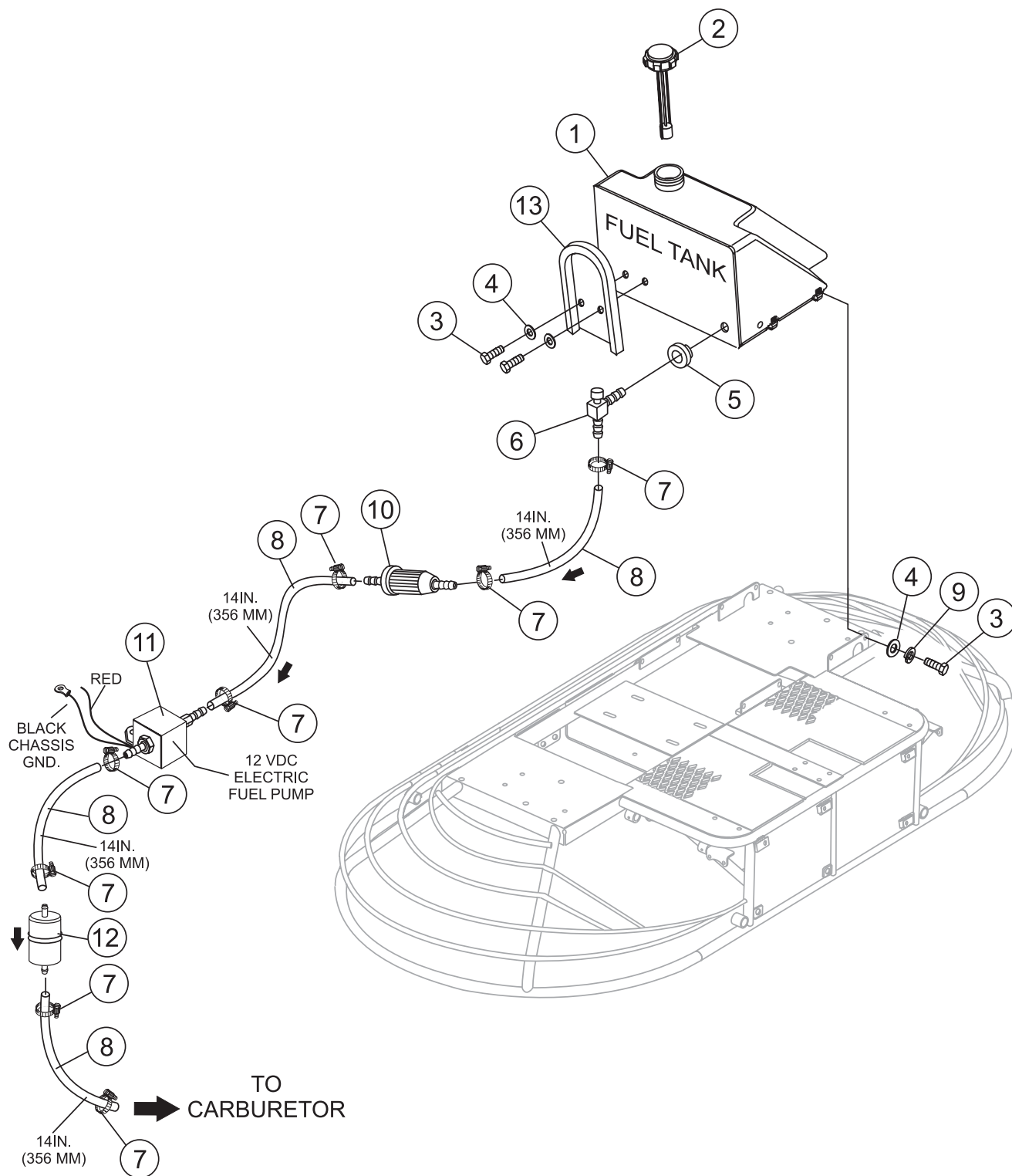
HTN 27K-28K— CONTROL PANEL ASSY. (28 HP)

CONTROL PANEL ASSY. (28 HP)

<u>NO.</u>	<u>PART NO.</u>	<u>PART NAME</u>	<u>QTY.</u>	<u>REMARKS</u>
1	4682	SWITCH, TOGGLE ELECTRIC #9061	1	
2	2734	SWITCH, ONAN IGNITION	1	
2A	TBD	KEY, IGNITION (SET)	1	
3	11382	LIGHT, RED IND 3/4 DIA PL- 20 RC	1	
4	8133	SCREW, RHM 10 - 32 X 3/4	10	
5	10133	NUT, NYLOC 3/8 - 16	2	
6	10019	NUT, NYLOC 10 - 32	10	
7	2673	CIRCUIT BREAKER, 30A, 12V	1	
8	0205	SCREW, HHC 3/8 - 16 X 1	2	
9	4001	WASHER, FLAT USS 3/8 PLD	4	
10	8381	BOOT, TOGGLE SWITCH	1	
11	06827-032	SCREW, RHM 10 - 32 X 2.00	1	
12	06827-028	SCREW, RHM 10 - 32 X 1 - 3/4	1	
13	21539	WIRE ASSEMBLY, 16 GA. X 16L RED	1	
14	21540	WIRE ASSEMBLY, 16 GA. 16L GRAY	1	
15	2716	CONNECTOR, 5-WIRE	1	
16	3233	WASHER, FENDER 1.5 OD X 3/8 ID	2	
17	2686	TERMINAL, FEMALE 16 - 14 GA	2	
18	20283	HARNESS, WIRE	1	
19	21458	CONTROL PANEL	1	
20	1475	CONNECTOR, SPLICE TAP	1	
21	21523	WIRE, YELLOW 10 AWG	1	
22	60101	TIE WRAP	3	
23	2769	WIRE, LITE SWITCH	1	

HTN 27K— FUEL ASSY. (27 HP)

FUEL ASSY. (27 HP ASSY.)



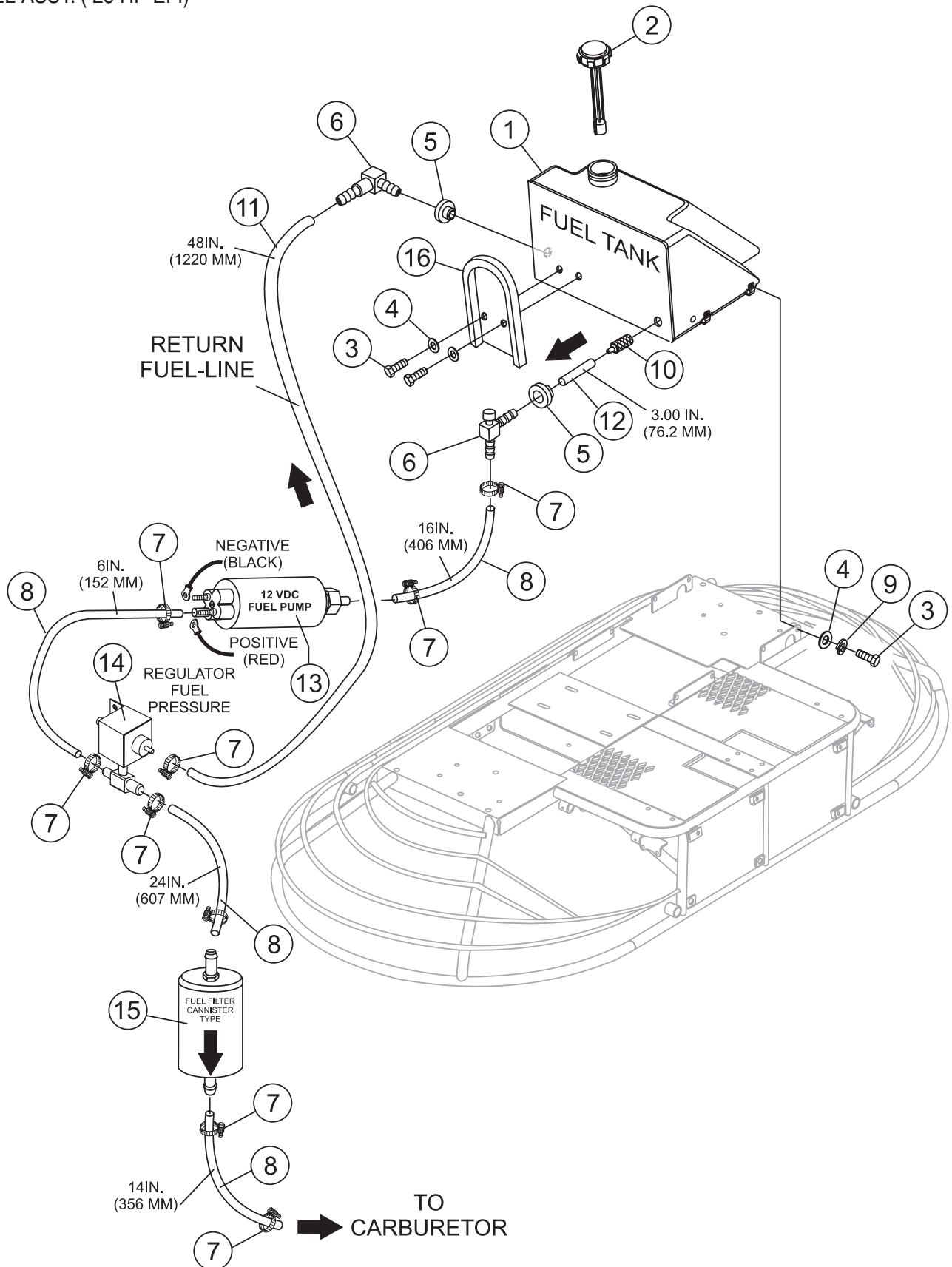
HTN 27K— FUEL ASSY. (27 HP)

FUEL ASSY. (27 HP)

<u>NO.</u>	<u>PART NO.</u>	<u>PART NAME</u>	<u>QTY.</u>	<u>REMARKS</u>
1	12404	TANK, FUEL FIVE GALLON	1	
2	11418	FUEL CAP/GAUGE (10.5)	1	
3	4514	SCREW, HHC 1/4 - 20 X 5/8	6	
4	0948	WASHER, FLAT, 1/4 SAE	6	
5	19633	BUSHING, RUBBER FUEL	1	
6	20795	VALVE, SCREENED DAPCO 12570	1	
7	19473	CLAMP, WORM HOSE, #4 (1/4 - 5/8)	3	
8	60079	HOSE, FUEL 5/16 ID	3	SOLD IN 1 FT. LENGTHS
9	0181 B	WASHER, LOCK, 1/4 MED	4	
10	2405002S	FILTER, FUEL PRIMARY 1/4" INLET	1	
11	2555901S	FUEL PUMP, 12 VDC	1	
12	2405010S	FILTER, FUEL SECONDARY	1	
13	2429	HOLDER, SPARE BELT	1	

HTN 28K—FUEL ASSY. (28 HP EFI)

FUEL ASSY. (28 HP EFI)



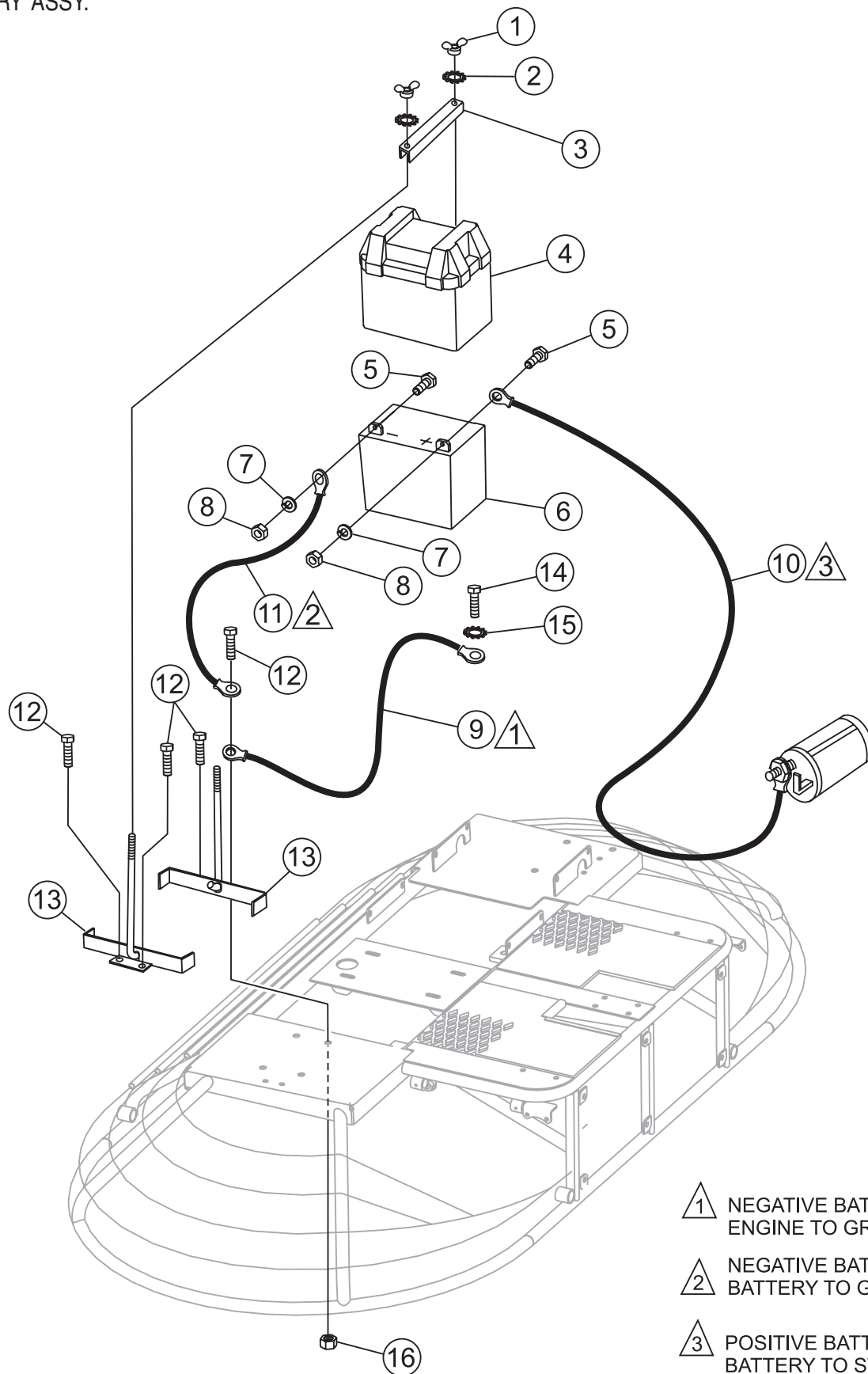
HTN 28K—FUEL ASSY. (28 HP EFI)

FUEL ASSY. (28 HP EFI)

<u>NO.</u>	<u>PART NO.</u>	<u>PART NAME</u>	<u>QTY.</u>	<u>REMARKS</u>
1	20292	TANK, FUEL FIVE GALLON	1	
2	11418	FUEL CAP/GAUGE (10.5)	1	
3	4514	SCREW, HHC 1/4 - 20 X 5/8	6	
4	0948	WASHER, FLAT, 1/4 SAE	6	
5	19633	BUSHING, RUBBER FUEL	2	
6	W12023	FITTING, 90 05 BARB-4 BARB FUEL	2	
7	19473	CLAMP, WORM HOSE, #4 (1/4- 5/8)	2	
8	60079	HOSE, FUEL 5/16 ID	7	
9	0181 B	WASHER, LOCK, 1/4 MED	4	
10	12010	SCREEN, FILTER DAPCO10656	1	
11	60028	HOSE, FUEL .312 ID	1	
12	60058	HOSE, FUEL 1/4 X 3/8 X 2	1	
13	2439320S	FUEL PUMP, KOHLER	1	
14	2440302S	FUEL REGULATOR, KOHLER	1	
15	0450905002	FILTER, FUEL, CANNISTER TYPE, BOSCH	1	
16	2429	HOLDER, SPARE BELT	1	

HTN 27K-28K—BATTERY ASSY.

BATTERY ASSY.



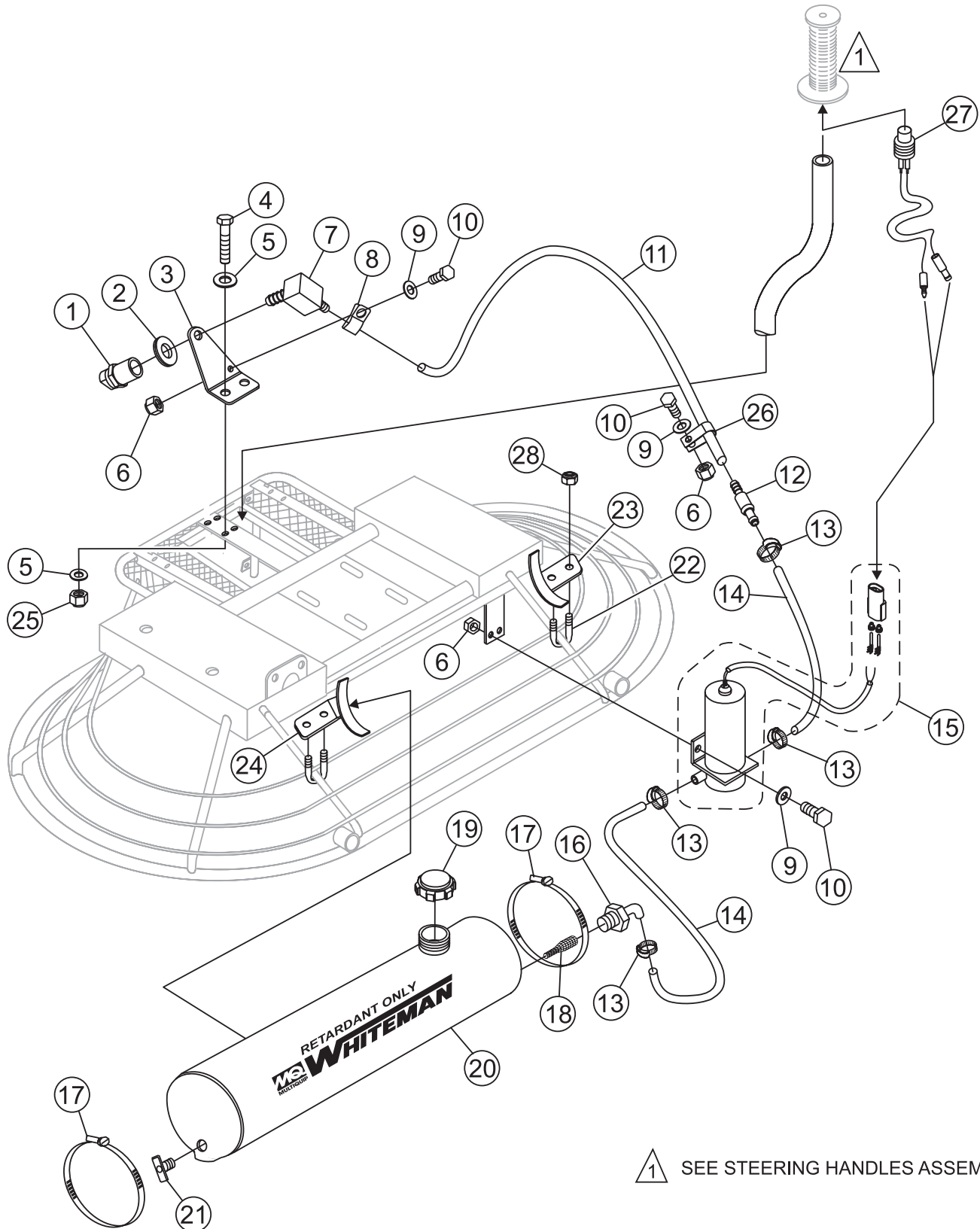
HTN 27K-28K—BATTERY ASSY.

BATTERY ASSY.

<u>NO.</u>	<u>PART NO.</u>	<u>PART NAME</u>	<u>QTY.</u>	<u>REMARKS</u>
1	2509	WING NUT, PLATED	2	
2	10031	WASHER, EXT SHKP 1/4	2	
3	11105	BRACKET BATTERY HOLD DOWN	1	
4	2449	BOX, BATTERY GR UI	1	
5	0131 A	SCREW, HHC 1/4 - 20 X 3/4	2	
6		BATTERY,	1	PURCHASE LOCALLY, INTERSTATE #SP40
7	0181 B	WASHER, LOCK, 1/4 MEDIUM	2	
8	0949	NUT, HEX FINISH 1/4 - 20	2	
9	12022	CABLE, BATTERY NEG 4GA 20 - 1/2"	1	
10	12675	CABLE, BATTERY POS 4GA 36"	1	
11	1597	CABLE, BATTERY NEG 4GA 16 - 1/2"	1	
12	0655	SCREW, HHC 5/16 - 18 X 1- 3/4	4	
13	20146	BRACKET BATTERY BOX	2	
14	2866	SCREW, HHC M8 X 1.25 X 20MM	1	
15	13339	WASHER, EXT SHKP 5/16	1	
16	5283	NUT, NYLOC 5/16 - 18	4	

HTN 27K-28K—SPRAY ASSY.

SPRAY ASSY.

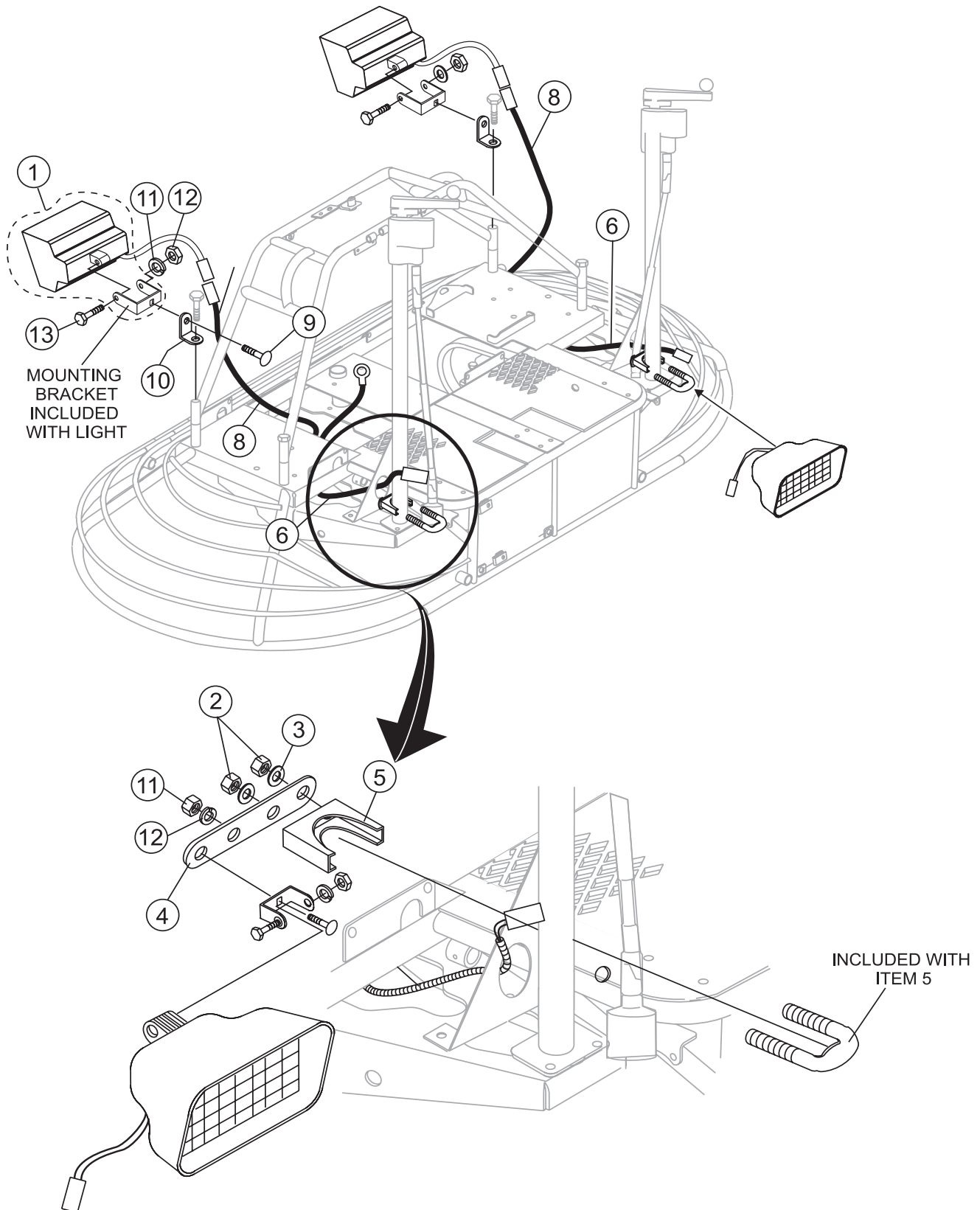


SPRAY ASSY.

<u>NO.</u>	<u>PART NO.</u>	<u>PART NAME</u>	<u>QTY.</u>	<u>REMARKS</u>
1	392292	NOZZLE, SPRAY	1	
2	2898	WASHER, BONDED NEOPRENE 1 X 1/2	1	
3	11222	MOUNT, SPRAY NOZZLE	1	
4	1023	SCREW, HHC 3/8 -16 X 1 1/4	2	
5	10136	WASHER, FLAT 3/8 SAE	4	
6	10024	NUT, NYLOC 1/4 - 20	4	
7	2912	FITTING, 90 4BARB-1/4FP	1	
8	8128	CLAMP, HOSE SUPPORT 5/16	1	
9	0948	WASHER, FLAT 1/4 SAE	4	
10	0131 A	SCREW, HHC 1/4 - 20 X 3/4	4	
11	2914	HOSE, 1/4 ID.....	1	SOLD IN FOOT LENGTHS
12	10022	FITTING, PLASTIC 6BARB - 4BARB	1	
13	2918	CLAMP, HOSE .475 - .536 ID	4	
14	2913	HOSE, 3/8 ID.....	1	SOLD IN FOOT LENGTHS
15	12548	PUMP, SPRAY ASSY SHURFLO 100-000-21	1	
16	2925	FITTING, PLASTIC 90 6BARB - 3/8 MP	1	
17	2398	CLAMP, 6 - 1/2 HOSE SIZE 96	2	
18	2926	SCREEN, STRAINER	1	
19	2108	CAP, SPRAY TANK	1	
20	2916	TANK, WATER NPT BOSSES	1	
21	2478	DRAIN COCK	1	
22	2399	U-BOLT, 1 ID PLTD W/NUTS	2	
23	2887	MOUNT, TANK LEFT	1	
24	2886	MOUNT, TANK RIGHT	1	
25	10133	NUT, NYLOC 3/8 -16	4	
26	8125	CLAMP, HOSE SUPPORT 5/8	1	
27	11430	SWITCH ASSY, SPRAY	1	
28	2656	NUT, NYLOC 5/16 - 24	4	

HTN 27K-28K—LIGHT ASSY.

LIGHT ASSY.Y

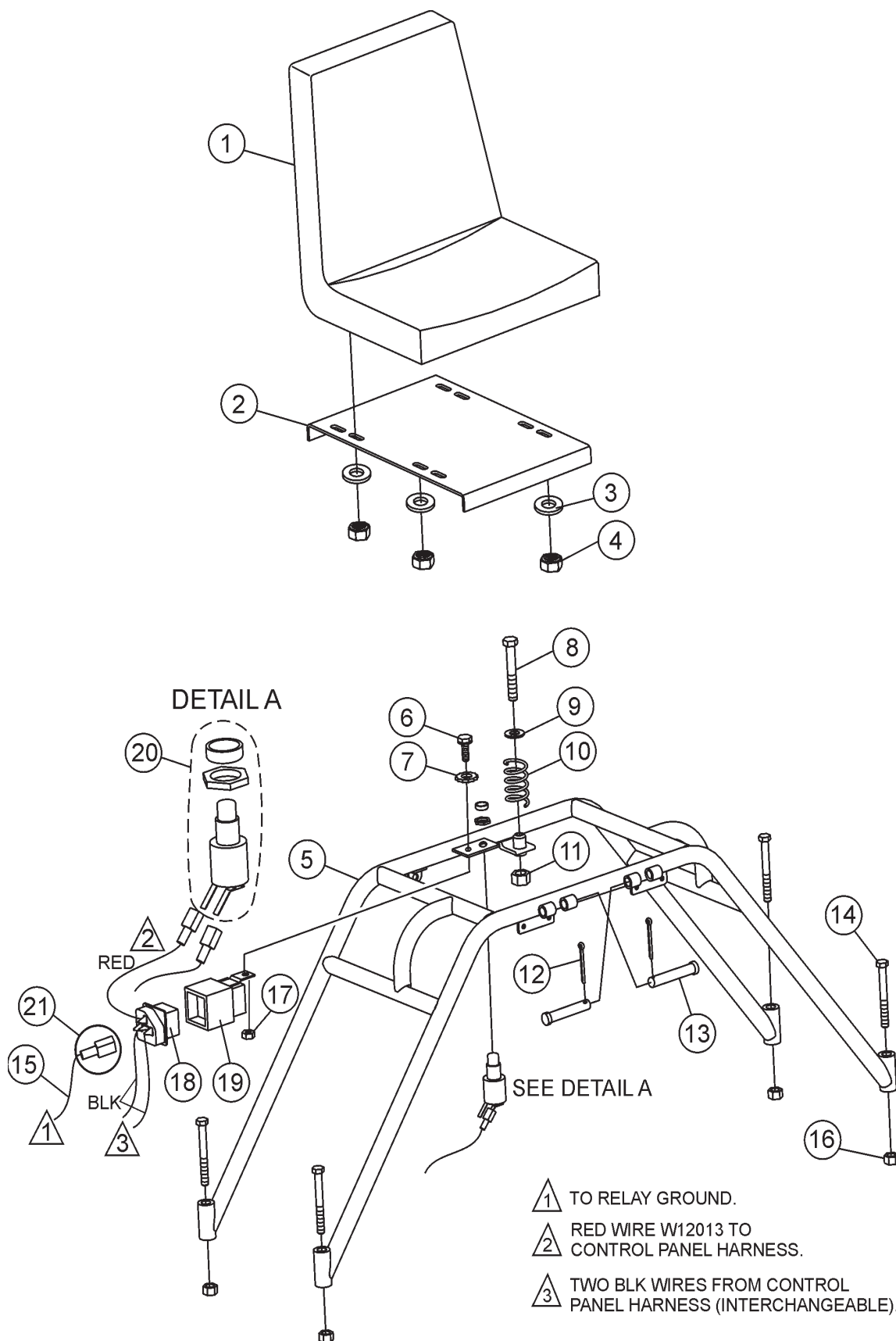


LIGHT ASSY.

<u>NO.</u>	<u>PART NO.</u>	<u>PART NAME</u>	<u>QTY.</u>	<u>REMARKS</u>
1	2896	LIGHT ASSEMBLY "92"	4	
2	5283	NUT, NYLOC 5/16 - 18	4	
3	0300 B	WASHER, FLAT 5/16 SAE	4	
4	2531	FRONT MOUNTING BRACKET	2	
5	2534	CLAMP, FRONT LIGHTS 1 - 3/4	2	
6	2959	LOOM, LITE WIRE	2	
8	11124	WIRE HARNESS, REAR LITE	1	
9	0655	HHCS, 5/16"-18X3/4	2	
10	10320	BRACKET LIGHT, REAR	2	
11	0161 D	NUT, HEX FINISH 5/16"-18	2	
12	0181 B	WASHER, LOCK1/4"	4	
13	0300 A	SCREW, HHC 5/16"-18X2	2	

HTN 27K-28K—SEAT FRAME ASSY.

SEAT FRAME ASSY.



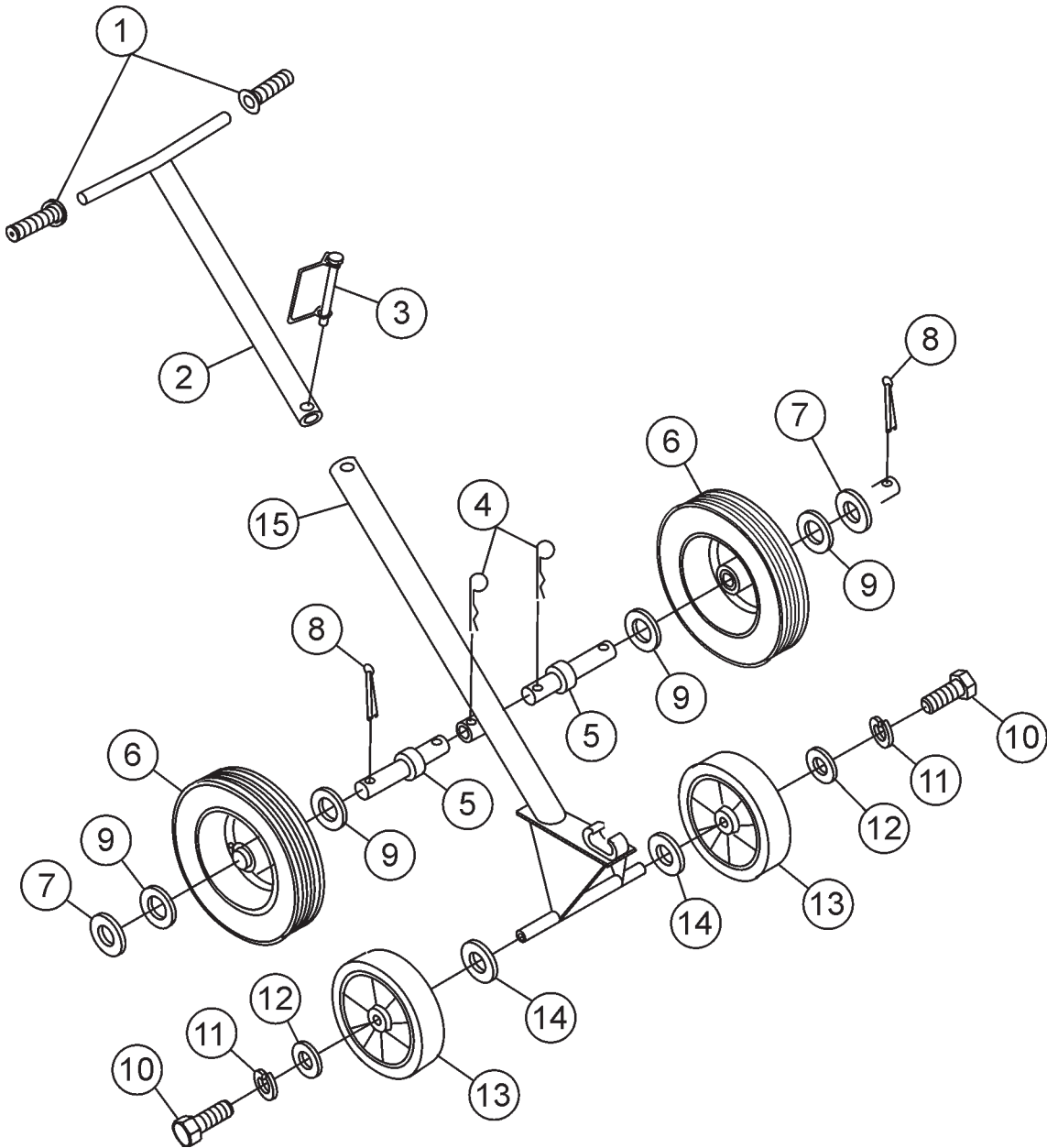
HTN 27K-28K—SEAT FRAME ASSY.

SEAT FRAME ASSY.

<u>NO.</u>	<u>PART NO.</u>	<u>PART NAME</u>	<u>QTY.</u>	<u>REMARKS</u>
1	21861	SEAT, MICHIGAN-ADJUSTABLE W/O ARMS	1	
2	11472	SEAT PLATE	1	
3	0300 B	WASHER, FLAT, SAE 5/16	4	
4	5283	NUT, NYLOC 5/16 - 18	4	
5	10896	FRAME, SEAT	1	
6	11644	SCREW, HHC, WASHER 10 - 32 X 5/8	1	
7	10237	WASHER, EXT. SHKP, #10	1	
8	8156	SCREW, HHC 3/8 - 16 X 2 - 1/2	1	
9	4001	WASHER, FLAT 3/8 PLTD STD. USS	1	
10	11593	SPRING, SEAT	1	
11	10133	NUT, NYLOC 3/8 - 16	1	
12	0183	PIN, COTTER 1/8 1 - 1/4	2	
13	8081	PIN, CLEVIS 1/2 X 2.75 EFF.	2	
14	10307	SCREW, HHC 1/2 - 13 X 5	4	
15	12014	WIRE, RELAY GROUND	1	
16	10176	NUT, NYLOC 1/2 - 13	4	
17	10019	NUT, NYLOC 10 - 32	1	
18	12018	CONNECTOR, RELAY	1	
19	12017	RELAY, KILL	1	
20	12005	SWITCH, KILL COLE- HER #90036- 02	1	
21	12020	TERMINAL, WIRE	4	

HTN 27K-28K—EZ-MOVER ASSY.

EZ-MOVER ASSY.



HTN 27K-28K—EZ-MOVER ASSY.

EZ-MOVER ASSY.

<u>NO.</u>	<u>PART NO.</u>	<u>PART NAME</u>	<u>QTY.</u>	<u>REMARKS</u>
1	0189	HAND GRIP	2	
2	2336	HANDLE, UPPER	1	
3	1869	PIN, SNAP	1	
4	7170	CLIP	2	
5	11684	AXLE, DOLLY	2	
6	10440	WHEEL & TIRE	2	
7	8151	WASHER, FLAT 3/4 SAE	2	
8	0183	PIN, COTTER	2	
9	10446	WASHER, FLAT 3/4	4	
10	0655	SCREW, HHCS 5/16 - 18 X 3/4	2	
11	0161 C	WASHER, LOCK 5/16	2	
12	0300 B	WASHER, FLAT 5/16	2	
13	2364	WHEEL, 2 X 8 MOLDED RUBBER	2	
14	4684	WASHER, FLAT 5/8	2	
15	10445	FRAME	1	

EZ-MOVER ASSEMBLY -- PURCHASE THROUGH MQ UNIT SALES DEPT.

PAYMENT TERMS

Terms of payment for parts are net 30 days.

FREIGHT POLICY

All parts orders will be shipped collect or prepaid with the charges added to the invoice. All shipments are F.O.B. point of origin. Multiquip's responsibility ceases when a signed manifest has been obtained from the carrier, and any claim for shortage or damage must be settled between the consignee and the carrier.

MINIMUM ORDER

The minimum charge for orders from Multiquip is \$15.00 net. Customers will be asked for instructions regarding handling of orders not meeting this requirement.

RETURNED GOODS POLICY

Return shipments will be accepted and credit will be allowed, subject to the following provisions:

1. A Returned Material Authorization (RMA) must be approved by Multiquip prior to shipment.
2. To obtain a Return Material Authorization, a list must be provided to Multiquip Parts Sales that defines item numbers, quantities, and descriptions of the items to be returned.
 - a. The parts numbers and descriptions must match the current parts price list.
 - b. The list must be typed or computer generated.
 - c. The list must state the reason(s) for the return.
 - d. The list must reference the sales order(s) or invoice(s) under which the items were originally purchased.
 - e. The list must include the name and phone number of the person requesting the RMA.
3. A copy of the Return Material Authorization must accompany the return shipment.
4. Freight is at the sender's expense. All parts must be returned freight prepaid to Multiquip's designated receiving point.

5. Parts must be in new and resalable condition, in the original Multiquip package (if any), and with Multiquip part numbers clearly marked.
6. The following items are not returnable:
 - a. Obsolete parts. (If an item is in the price book and shows as being replaced by another item, it is obsolete.)
 - b. Any parts with a limited shelf life (such as gaskets, seals, "O" rings, and other rubber parts) that were purchased more than six months prior to the return date.
 - c. Any line item with an extended dealer net price of less than \$5.00.
 - d. Special order items.
 - e. Electrical components.
 - f. Paint, chemicals, and lubricants.
 - g. Decals and paper products.
 - h. Items purchased in kits.
7. The sender will be notified of any material received that is not acceptable.
8. Such material will be held for five working days from notification, pending instructions. If a reply is not received within five days, the material will be returned to the sender at his expense.
9. Credit on returned parts will be issued at dealer net price at time of the original purchase, less a 15% restocking charge.
10. In cases where an item is accepted for which the original purchase document can not be determined, the price will be based on the list price that was effective twelve months prior to the RMA date.
11. Credit issued will be applied to future purchases only.

PRICING AND REBATES

Prices are subject to change without prior notice. Price changes are effective on a specific date and all orders received on or after that date will be billed at the revised price. Rebates for price declines and added charges for price increases will not be made for stock on hand at the time of any price change.

PRICING AND REBATES

Prices are subject to change without prior notice. Price changes are effective on a specific date and all orders received on or after that date will be billed at the revised price. Rebates for price declines and added charges for price increases will not be made for stock on hand at the time of any price change.

Multiquip reserves the right to quote and sell direct to Government agencies, and to Original Equipment Manufacturer (OEM) accounts who use our products as integral parts of their own products.

SPECIAL EXPEDITING SERVICE

A \$35.00 surcharge will be added to the invoice for special handling including bus shipments, insured parcel post or in cases where Multiquip must personally deliver the parts to the carrier.

LIMITATIONS OF SELLER'S LIABILITY

Multiquip shall not be liable hereunder for damages in excess of the purchase price of the item with respect to which damages are claimed, and in no event shall Multiquip be liable for loss of profit or good will or for any other special, consequential or incidental damages.

LIMITATION OF WARRANTIES

No warranties, expressed or implied, are made in connection with the sale of parts or trade accessories nor as to any engine not manufactured by Multiquip. Such warranties made in connection with the sale of new, complete units are made exclusively by a statement of warranty packaged with such units, and Multiquip neither assumes nor authorizes any person to assume for it any other obligation or liability whatever in connection with the sale of its products. Apart from such written statement of warranty, there are no warranties, expressed, implied or statutory, which extend beyond the description of the products on the face hereof.

PARTS MANUAL

HERE'S HOW TO GET HELP

PLEASE HAVE THE MODEL AND SERIAL
NUMBER *ON-HAND* WHEN CALLING

UNITED STATES

Multiquip Corporate Office

18910 Wilmington Ave. Tel. (800) 421-1244
Carson, CA 90746 Fax (800) 537-3927
Contact: mq@multiquip.com

Mayco Parts

800-306-2926 Fax: 800-672-7877
310-537-3700 Fax: 310-637-3284

Service Department

800-421-1244 Fax: 310-537-4259
310-537-3700

MQ Parts Department

800-427-1244 Fax: 800-672-7877
310-537-3700 Fax: 310-637-3284

Warranty Department

800-421-1244, Ext. 279 Fax: 310-537-1173
310-537-3700, Ext. 279

Technical Assistance

800-478-1244 Fax: 310-631-5032

MEXICO

MQ Cipsa

Carr. Fed. Mexico-Puebla KM 126.5 Tel: (52) 222-225-9900
Momoxpan, Cholula, Puebla 72760 Mexico Fax: (52) 222-285-0420
Contact: pmastretta@cipsa.com.mx

CANADA

Multiquip

4110 Industriel Boul. Tel: (450) 625-2244
Laval, Quebec, Canada H7L 6V3 Fax: (450) 625-8664
Contact: jmartin@multiquip.com

UNITED KINGDOM

Multiquip (UK) Limited Head Office

Hanover Mill, Fitzroy Street, Tel: 0161 339 2223
Ashton-under-Lyne, Fax: 0161 339 3226
Lancashire OL7 0TL
Contact: sales@multiquip.co.uk

BRAZIL

Multiquip

Av. Evandro Lins e Silva, 840 - grupo 505 Tel: 011-55-21-3433-9055
Barra de Tijuca - Rio de Janeiro Fax: 011-55-21-3433-9055
Contact: cnavarro@multiquip.com.br, srentes@multiquip.com.br

© COPYRIGHT 2006, MULTIQUIP INC.

Multiquip Inc, the MQ logo and the MQ Whiteman logo are registered trademarks of Multiquip Inc. and may not be used, reproduced, or altered without written permission. All other trademarks are the property of their respective owners and used with permission.

This manual MUST accompany the equipment at all times. This manual is considered a permanent part of the equipment and should remain with the unit if resold.

The information and specifications included in this publication were in effect at the time of approval for printing. Illustrations are based on the HTN 27K/28K Ride-On Power Trowel. Illustrations, descriptions, references and technical data contained in this manual are for guidance only and may not be considered as binding. Multiquip Inc. reserves the right to discontinue or change specifications, design or the information published in this publication at any time without notice and without incurring any obligations.

Your Local Dealer is:

